


**S**

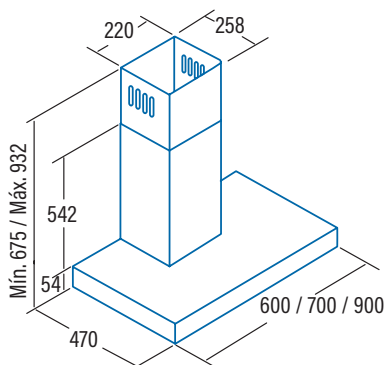

S 600

 Cod. **02060601** EAN **8422248087124**

- Mechanical Control Panel**
- 3 extraction levels
- Extraction power (according to UNE/EN 61591): **400m<sup>3</sup>/h** - 210m<sup>3</sup>/h
- Maximum air flow (free outlet): **620m<sup>3</sup>/h**
- Sound power (Reg.(EU) n°65/2014): 50dB(A)**, maximum: 62dB(A)
- Motor K7 PLUS. Extra silent. Maximum energy consumption **95W**
- High efficiency LED lighting**
- Easy-to-install system
- Dishwasher-washable filters
- Finished in Stainless steel
- Max. Pressure 200 Pa
- 150/125 mm Outlet diameter
- Energy Class: C

**► Accessories (not included)**

|                              |   |
|------------------------------|---|
| Active charcoal filter ..... | Cod. 02859394 / EAN 8422248038782.....  |
| Check valve .....            | Cod. 02832004 / EAN 8422248480499 ..... |
| Top tube.....                | Cod. 02861302 / EAN 8422248051903 ..... |



|   |                      |
|---|----------------------|
| <b>Code</b>   | <b>02060601</b>      |
| <b>EAN</b>  | <b>8422248087124</b> |
| <b>Model</b>  | <b>S-600 INOX</b>    |
| <b>Type</b>   | Box                  |
| <b>Product fiche according to directives EU65/2014 - EN61591, EN60704-2-13, EN50564</b> |                      |
| AEC (Annual Energy consumption) (kWh/annum)   | 51,9                 |
| EEl class (Energy Efficiency Class)   | C                    |
| FDE (Fluid Dynamic Efficiency)  | 9,8                  |
| FDE class (Fluid Dynamic Efficiency Class)  | E                    |
| LE (Lighting Efficiency) (lux/W)  | 8,4                  |
| LE class (Lighting Efficiency Class)  | E                    |
| GFE (Grease Filtering Efficiency)   | 74,6                 |
| GFE Class (Grease Filtering Efficiency class)   | D                    |
| Air flow at minimum speed (m <sup>3</sup> /h)   | 210                  |
| Air flow at maximum speed (m <sup>3</sup> /h)   | 400                  |
| Air flow at intensive speed (TURBO) (m <sup>3</sup> /h)                                 | -                    |
| Sound Power Level at minimum speed (dB)   | 50                   |
| Sound Power Level at maximum speed (dB)   | 62                   |
| Sound Power Level at intensive speed (TURBO) (dB)                                       | -                    |
| Po (Power Consumption in off mode) (W)  | 0                    |
| Ps (Power Consumption in standby) (W)   | 0                    |
| <b>Integration directive EU 66/2014</b>   |                      |
| f (Time Increase Factor)  | 1,6                  |
| EEl (Energy Efficiency Index)   | 84,4                 |
| QBEP (Flow Rate at Best Efficiency Point) (m <sup>3</sup> /h)                           | 208,6                |
| PBEP (Static Pressure Difference at Best Efficiency Point) (Pa)                         | 123                  |
| WBEP (Electric Power Input at Best Efficiency Point) (W)                                | 72,9                 |
| WL (Nominal Power Consumption of Lighting system) (W)                                   | 11                   |
| EMIDDLE (Average Illumination of Lighting system on Cooking surface) (lux)              | 92,5                 |
| <b>External Dimensions</b>  |                      |
| Width (mm)  | 600                  |
| Depth (mm)  | 470                  |
| Total max height (mm)   | 932                  |
| Total min height (mm)   | 675                  |
| Outlet Diameter (mm)  | 150/125              |
| <b>Characteristics</b>  |                      |
| Motor   | K7 PLUS              |
| Extraction Levels   | 3                    |
| Motor Maximum Power Consumption   | 95                   |
| Maximum Pressure  | 200                  |
| Intensive Speed (TURBO) Pressure  | -                    |
| Control Type  | Mechanic             |
| Automatic shut-down timer   | -                    |
| Electronic Filter Saturation Indicator  | -                    |
| Filter Type   | Metallic             |
| Anti-grease Filter Number   | 3                    |
| Inner Shield  | -                    |
| <b>Lighting</b>   |                      |
| Light Type  | LED E-14             |
| Adjustable Intensity Lighting   | -                    |
| N° of Lamps   | 2                    |
| <b>Installation</b>   |                      |
| Minimum height distance to a electric worktop hob (mm)                                  | 650                  |
| Minimum height distance to a gas worktop hob (mm)                                       | 650                  |
| Installation with Outlet tube to the exterior / Recirculating                           | BOTH                 |
| Easy Installation System  | √                    |
| <b>Electric Connection</b>  |                      |
| Total Rush Power (W)  | 106                  |
| Rated Voltage (V)   | 220-240              |
| Network Frequency (Hz)  | 50                   |
| Electrical Insulation Class   | CLASS II             |
| Plug  | EU - 2 pins          |
| <b>Accessories</b>  |                      |
| Upper Decorative tube Extension   | 02861302             |
| White Decorative Tube   | -                    |
| Black Decorative Tube   | -                    |
| Island Tube Enhancer  | -                    |
| Check Valve   | 02832004             |
| MAX PRO Metal Filter  | 02800917             |
| Metal Filter  | 02800905*            |
| DUAL Filter (metal + active charcoal)   | 02800918             |
| Active Charcoal Filter  | 02859394             |
| Noiseless Flexible Duct   | 02893002             |