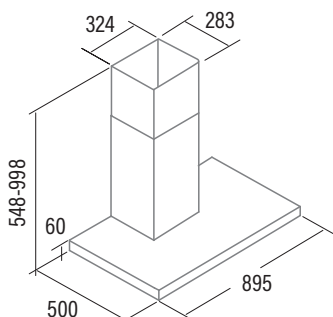


**ST-9000 X**  
Cod. **02029309** EAN **8422248108706**

- Mechanical Control Panel
- 3 extraction levels
- Extraction power (according to UNE/EN 61591): 302m<sup>3</sup>/h - 165m<sup>3</sup>/h
- Motor maximum airflow free outlet: 360 m<sup>3</sup>/h
- Sound power (Reg.(EU) n°65/2014): 58dB(A), maximum: 62dB(A)
- Maximum energy consumption 65W
- High efficiency LED lighting
- Easy-to-install system
- Dishwasher-washable filters
- Finished in Stainless steel
- Max. Pressure 175 Pa
- 150 mm Outlet diameter
- Energy Class: C

► Accessories (not included)  
Active charcoal filter Cod. 02859495 / EAN 8422248100281



<b>Code</b>	<b>02029309</b>
<b>EAN</b>	<b>8422248108706</b>
<b>Model</b>	<b>ST-9000 X</b>
<b>Type</b>	Box
<b>Product fiche according to directives EU65/2014 - EN61591, EN60704-2-13, EN50564</b>	
AEC (Annual Energy consumption) (kWh/annum)	36,4
EEL class (Energy Efficiency Class)	C
FDE (Fluid Dynamic Efficiency)	10,12
FDE class (Fluid Dynamic Efficiency Class)	E
LE (Lighting Efficiency) (lux/W)	39,3
LE class (Lighting Efficiency Class)	A
GFE (Grease Filtering Efficiency)	70,46
GFE Class (Grease Filtering Efficiency class)	D
Air flow at minimum speed (m <sup>3</sup> /h)	165
Air flow at maximum speed (m <sup>3</sup> /h)	302
Air flow at intensive speed (TURBO) (m <sup>3</sup> /h)	-
Sound Power Level at minimum speed (dB)	58
Sound Power Level at maximum speed (dB)	62
Sound Power Level at intensive speed (TURBO) (dB)	-
Po (Power Consumption in off mode) (W)	0
Ps (Power Consumption in standby) (W)	-
<b>Integration directive EU 66/2014</b>	
f (Time Increase Factor)	1,6
EEL (Energy Efficiency Index)	74,9
QBEP (Flow Rate at Best Efficiency Point) (m <sup>3</sup> /h)	192,63
PBEP (Static Pressure Difference at Best Efficiency Point) (Pa)	110,53
WBEP (Electric Power Input at Best Efficiency Point) (W)	58,45
WL (Nominal Power Consumption of Lighting system) (W)	2
EMIDDLE (Average Illumination of Lighting system on Cooking surface) (lux)	79
<b>External Dimensions</b>	
Width (mm)	900
Depth (mm)	500
Total max height(mm)	998
Total min height(mm)	548
Outlet Diameter (mm)	150
<b>Characteristics</b>	
Motor	TT300
Extraction Levels	3
Motor Maximum Power Consumption	65
Maximum Pressure	172,85
Intensive Speed (TURBO) Pressure	-
Control Type	Mechanic
Automatic shut-down timer	-
Electronic Filter Saturation Indicator	-
Filter Type	Metallic
Anti-grease Filter Number	3
Inner Shield	-
<b>Lighting</b>	
Light Type	CSLED
Adjustable Intensity Lighting	-
N° of Lamps	1
<b>Installation</b>	
Minimum height distance to a electric worktop hob (mm)	650
Minimum height distance to a gas worktop hob (mm)	650
Installation with Outlet tube to the exterior / Recirculating	BOTH
Easy Installation System	√
<b>Electric Connection</b>	
Total Rush Power (W)	67
Rated Voltage (V)	220-240
Network Frequency (Hz)	50
Electrical Insulation Class	CLASS I
Plug	-
<b>Accessories</b>	
Upper Decorative tube Extension	02863305
White Decorative Tube	-
Black Decorative Tube	-
Island Tube Enhancer	-
Check Valve	-
MAX PRO Metal Filter	-
Metal Filter	02800984
DUAL Filter (metal + active charcoal)	-
Active Charcoal Filter	02859495
Noiseless Flexible Duct	02893002