



OMEGA



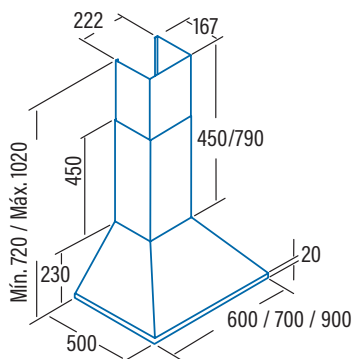
OMEGA 900

 Cod. **02004305** EAN **8422248087193**

- Mechanical control panel**
- 3 extraction levels
- Extraction power (according to UNE/EN 61591): **645m³/h** - 385m³/h
- Maximum air flow (free outlet): **1115m³/h**
- Sound power (Reg.(EU) n°65/2014): 58dB(A)**, maximum: 72dB(A)
- M3R motor. Extra silent. Maximum energy consumption **270W**
- High efficiency LED lighting**
- Easy-to-install system
- Dishwasher-washable filters
- Finished in stainless steel
- Max. pressure 430 Pa
- 150/125 mm outlet diameter
- Energy Class: C

► **Accessories (not included)**

| | |
|------------------------------|---|
| Active charcoal filter | Cod. 02859391 / EAN 8422248001595 |
| Check valve | Cod. 02832001 / EAN 8422248044677 |
| Top tube | Cod. 02862301 / EAN 8422248031080 |



| | |
|---|----------------------|
| Code | 02004305 |
| EAN | 8422248087193 |
| Model | OMEGA 900 X |
| Type | Chimney |
| Product fiche according to directives EU65/2014 - EN61591, EN60704-2-13, EN50564 | |
| AEC (Annual Energy consumption) (kWh/annum) | 95,7 |
| EEl class (Energy Efficiency Class) | C |
| FDE (Fluid Dynamic Efficiency) | 17,8 |
| FDE class (Fluid Dynamic Efficiency Class) | D |
| LE (Lighting Efficiency) (lux/W) | 38,4 |
| LE class (Lighting Efficiency Class) | A |
| GFE (Grease Filtering Efficiency) | 90,3 |
| GFE Class (Grease Filtering Efficiency class) | B |
| Air flow at minimum speed (m ³ /h) | 385 |
| Air flow at maximum speed (m ³ /h) | 645 |
| Air flow at intensive speed (TURBO) (m ³ /h) | - |
| Sound Power Level at minimum speed (dB) | 57,8 |
| Sound Power Level at maximum speed (dB) | 71,8 |
| Sound Power Level at intensive speed (TURBO) (dB) | - |
| Po (Power Consumption in off mode) (W) | 0 |
| Ps (Power Consumption in standby) (W) | 0 |
| Integration directive EU 66/2014 | |
| f (Time Increase Factor) | 1,4 |
| EEl (Energy Efficiency Index) | 80,1 |
| QBEP (Flow Rate at Best Efficiency Point) (m ³ /h) | 371,8 |
| PBEP (Static Pressure Difference at Best Efficiency Point) (Pa) | 314 |
| WBEP (Electric Power Input at Best Efficiency Point) (W) | 182,5 |
| WL (Nominal Power Consumption of Lighting system) (W) | 7 |
| EMIDDLE (Average Illumination of Lighting system on Cooking surface) (lux) | 269 |
| External Dimensions | |
| Width (mm) | 900 |
| Depth (mm) | 500 |
| Total max height (mm) | 1020 |
| Total min height (mm) | 720 |
| Outlet Diameter (mm) | 150/125 |
| Characteristics | |
| Motor | M3R |
| Extraction Levels | 3 |
| Motor Maximum Power Consumption | 270 |
| Maximum Pressure | 430 |
| Intensive Speed (TURBO) Pressure | - |
| Control Type | Mechanic |
| Automatic shut-down timer | - |
| Electronic Filter Saturation Indicator | - |
| Filter Type | Metallic |
| Anti-grease Filter Number | 3 |
| Inner Shield | - |
| Lighting | |
| Light Type | EcoLed |
| Adjustable Intensity Lighting | - |
| N° of Lamps | 2 |
| Installation | |
| Minimum height distance to a electric worktop hob (mm) | 650 |
| Minimum height distance to a gas worktop hob (mm) | 650 |
| Installation with Outlet tube to the exterior / Recirculating | BOTH |
| Easy Installation System | √ |
| Electric Connection | |
| Total Rush Power (W) | 277 |
| Rated Voltage (V) | 220-240 |
| Network Frequency (Hz) | 50 |
| Electrical Insulation Class | CLASS II |
| Plug | EU - 2 pins |
| Accessories | |
| Upper Decorative tube Extension | 02862301 |
| White Decorative Tube | - |
| Black Decorative Tube | - |
| Island Tube Enhancer | - |
| Check Valve | 02832001 |
| MAX PRO Metal Filter | 02800917 |
| Metal Filter | 02800905* |
| DUAL Filter (metal + active charcoal) | 02800918 |
| Active Charcoal Filter | 02859391 |
| Noiseless Flexible Duct | 02893002 |