

cata

DECORATIVE ISLANDS



## SIRIN WH ISLAND

850 m<sup>3</sup>/h  
High Efficiency Motor

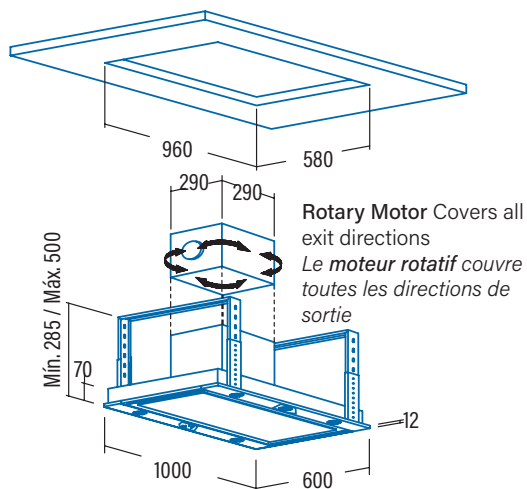


SIRIN 1000 WH ISLAND  
Cod. **02111001** EAN **8422248077750**

- ❑ **Touch control** panel with automatic shut-down timer and cleaning filters indicator + **remote control**
- ❑ 4 extraction levels, 3 + 1 **TURBO**
- ❑ Extraction power (according to UNE/EN 61591): **850m<sup>3</sup>/h** - 340m<sup>3</sup>/h
- ❑ Maximum air flow (free outlet): **1200m<sup>3</sup>/h**
- ❑ **Sound power (Reg.(EU) n°65/2014): 50dB(A)**, maximum: 65dB(A)
- ❑ BT3 motor. Extra silent. Maximum energy consumption 280W
- ❑ **High efficiency LED lighting, adjustable intensity**
- ❑ Easy-to-install system
- ❑ Dishwasher-washable filters
- ❑ White finishing
- ❑ Max. Pressure: 470 Pa
- ❑ 150 mm outlet diameter
- ❑ Ceiling installation

► **Accessories (not included)**

Active Charcoal Filter..... Cod. 02859398 / EAN 8422248075497 .....  
Adaptator+Check Valve 150mm ..... Cod. 02832006 / EAN 8422248079167 .....



<b>Code</b>	<b>02111001</b>
<b>EAN</b>	<b>8422248077750</b>
<b>Model</b>	<b>ISLA SIRIN 1000 WH</b>
<b>Type</b>	Island
<b>Product fiche according to directives EU65/2014 - EN61591, EN60704-2-13, EN50564</b>	
AEC (Annual Energy consumption) (kWh/annum)	58,9
EEl class (Energy Efficiency Class)	A
FDE (Fluid Dynamic Efficiency)	31,5
FDE class (Fluid Dynamic Efficiency Class)	A
LE (Lighting Efficiency) (lux/W)	36,6
LE class (Lighting Efficiency Class)	A
GFE (Grease Filtering Efficiency)	91,2
GFE Class (Grease Filtering Efficiency class)	B
Air flow at minimum speed (m <sup>3</sup> /h)	340
Air flow at maximum speed (m <sup>3</sup> /h)	600
Air flow at intensive speed (TURBO) (m <sup>3</sup> /h)	850
Sound Power Level at minimum speed (dB)	50
Sound Power Level at maximum speed (dB)	65
Sound Power Level at intensive speed (TURBO) (dB)	67
Po (Power Consumption in off mode) (W)	0,3
Ps (Power Consumption in standby) (W)	0
<b>Integration directive EU 66/2014</b>	
f (Time Increase Factor)	0,9
EEl (Energy Efficiency Index)	54,6
QBEP (Flow Rate at Best Efficiency Point) (m <sup>3</sup> /h)	350,4
PBEP (Static Pressure Difference at Best Efficiency Point) (Pa)	380
WBEP (Electric Power Input at Best Efficiency Point) (W)	132,8
WL (Nominal Power Consumption of Lighting system) (W)	14
EMIDDLE (Average Illumination of Lighting system on Cooking surface) (lux)	513
<b>External Dimensions</b>	
Width (mm)	1000
Depth (mm)	600
Total max height (mm)	500
Total min height (mm)	285
Outlet Diameter (mm)	150
<b>Characteristics</b>	
Motor	BT3
Extraction Levels	3+1
Motor Maximum Power Consumption	280
Maximum Pressure	450
Intensive Speed (TURBO) Pressure	470
Control Type	TC4i
Automatic shut-down timer	√
Electronic Filter Saturation Indicator	√
Filter Type	Metallic
Anti-grease Filter Number	3
Inner Shield	-
<b>Lighting</b>	
Light Type	EcoLed
Adjustable Intensity Lighting	√
N° of Lamps	4
<b>Installation</b>	
Minimum height distance to a electric worktop hob (mm)	550
Minimum height distance to a gas worktop hob (mm)	660
Installation with Outlet tube to the exterior / Recirculating	BOTH
Easy Installation System	√
<b>Electric Connection</b>	
Total Rush Power (W)	294
Rated Voltage (V)	220-240
Network Frequency (Hz)	50
Electrical Insulation Class	CLASS II
Plug	EU - 2 pins
<b>Accessories</b>	
Upper Decorative tube Extension	-
White Decorative Tube	-
Black Decorative Tube	-
Island Tube Enhancer	-
Check Valve	02832006
MAX PRO Metal Filter	02800917
Metal Filter	02800200*
DUAL Filter (metal + active charcoal)	02800918
Active Charcoal Filter	02859398
Noiseless Flexible Duct	02893002