

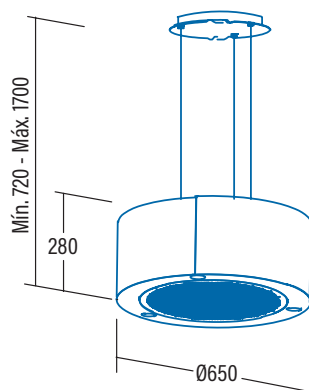


## MAGRABA ISLAND



MAGRABA ISLAND  
Cod. **02119207** EAN **8422248069342**

- Electronic control** panel with automatic shut-down timer
- 3 extraction levels
- Extraction power (according to UNE/EN 61591): 645m<sup>3</sup>/h - 300m<sup>3</sup>/h
- Maximum air flow: **1115m<sup>3</sup>/h**
- Sound power (Reg.(EU) n°65/2014): 48dB(A)**, maximum: 63dB(A)
- BT2 motor. Extra silent. Maximum energy consumption **200W**
- High efficiency LED lighting**
- Easy-to-install system
- Recirculation operation**
- Dishwasher-washable active charcoal filters**
- Finished Stainless steel and white
- Max. Pressure: 400 Pa
- Energy class: C



<b>Code</b>	<b>02119207</b>
<b>EAN</b>	<b>8422248069342</b>
<b>Model</b>	<b>ISLA MAGRABA</b>
<b>Type</b>	Island
<b>Product fiche according to directives EU65/2014 - EN61591, EN60704-2-13, EN50564</b>	
AEC (Annual Energy consumption) (kWh/annum)	97,1
EEl class (Energy Efficiency Class)	C
FDE (Fluid Dynamic Efficiency)	15,7
FDE class (Fluid Dynamic Efficiency Class)	D
LE (Lighting Efficiency) (lux/W)	14,3
LE class (Lighting Efficiency Class)	D
GFE (Grease Filtering Efficiency)	91,2
GFE Class (Grease Filtering Efficiency class)	B
Air flow at minimum speed (m <sup>3</sup> /h)	300
Air flow at maximum speed (m <sup>3</sup> /h)	645
Air flow at intensive speed (TURBO) (m <sup>3</sup> /h)	-
Sound Power Level at minimum speed (dB)	48
Sound Power Level at maximum speed (dB)	63
Sound Power Level at intensive speed (TURBO) (dB)	-
Po (Power Consumption in off mode) (W)	0,26
Ps (Power Consumption in standby) (W)	0
<b>Integration directive EU 66/2014</b>	
f (Time Increase Factor)	1,4
EEl (Energy Efficiency Index)	84,1
QBEP (Flow Rate at Best Efficiency Point) (m <sup>3</sup> /h)	385,1
PBEP (Static Pressure Difference at Best Efficiency Point) (Pa)	253
WBEP (Electric Power Input at Best Efficiency Point) (W)	172,1
WL (Nominal Power Consumption of Lighting system) (W)	10,5
EMIDDLE (Average Illumination of Lighting system on Cooking surface) (lux)	150
<b>External Dimensions</b>	
Width (mm)	650
Depth (mm)	650
Total max height (mm)	1700
Total min height (mm)	720
Outlet Diameter (mm)	-
<b>Characteristics</b>	
Motor	BT2
Extraction Levels	3
Motor Maximum Power Consumption	200
Maximum Pressure	400
Intensive Speed (TURBO) Pressure	-
Control Type	VL3
Automatic shut-down timer	√
Electronic Filter Saturation Indicator	-
Filter Type	Metallic
Anti-grease Filter Number	1
Inner Shield	-
<b>Lighting</b>	
Light Type	EcoLed
Adjustable Intensity Lighting	-
N° of Lamps	3
<b>Installation</b>	
Minimum height distance to a electric worktop hob (mm)	650
Minimum height distance to a gas worktop hob (mm)	650
Installation with Outlet tube to the exterior / Recirculating	RECIRCULATION
Easy Installation System	√
<b>Electric Connection</b>	
Total Rush Power (W)	210,5
Rated Voltage (V)	220-240
Network Frequency (Hz)	50
Electrical Insulation Class	CLASS II
Plug	-
<b>Accessories</b>	
Upper Decorative tube Extension	-
White Decorative Tube	-
Black Decorative Tube	-
Island Tube Enhancer	-
Check Valve	-
MAX PRO Metal Filter	-
Metal Filter	-
DUAL Filter (metal + active charcoal)	02800922*
Active Charcoal Filter	-
Noiseless Flexible Duct	-