



BENU SLIM ISLAND

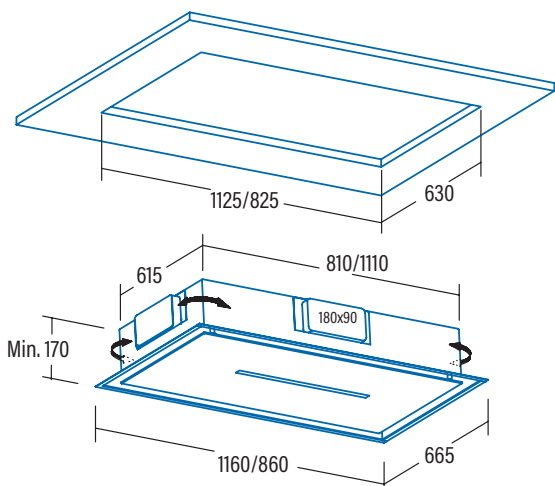


BENU SLIM 1200 ISLAND
Cod. **02111307** EAN **8422248094337**

- ❑ **Touch control** panel with automatic shut-down timer and cleaning filters indicator + **remote control**
- ❑ **AUTO connectivity with automatic control from the CATA hob**
- ❑ 4 extraction levels, 3 + 1 **TURBO**
- ❑ Extraction power (according to UNE/EN 61591): **620m³/h** - 300m³/h
- ❑ Maximum air flow (free outlet): **950m³/h**
- ❑ **Sound power (Reg.(EU) n°65/2014): 50dB(A)**, maximum: 65dB(A)
- ❑ S6 motor. Extra silent. Maximum energy consumption 105W
- ❑ **High-efficiency lighting by intensity-adjustable two-tone warm / natural LED STRIP**
- ❑ Easy-to-install system
- ❑ Dishwasher-washable filters
- ❑ Inox finishing
- ❑ Max. Pressure: 470 Pa
- ❑ 150 mm outlet diameter
- ❑ **Minimum installation height 17 cm**
- ❑ Ceiling installation

► **Accessories (not included)**

Active Charcoal Filter Cod. 02859398 / EAN 8422248075497
Adaptator+Check Valve 150mm Cod. 02832006 / EAN 8422248079167



Code	02111307
EAN	8422248094337
Model	ISLA BENU SLIM 1200 X
Type	Island
Product fiche according to directives EU65/2014 - EN61591, EN60704-2-13, EN50564	
AEC (Annual Energy consumption) (kWh/annum)	44,1
EEL class (Energy Efficiency Class)	B
FDE (Fluid Dynamic Efficiency)	25,2
FDE class (Fluid Dynamic Efficiency Class)	B
LE (Lighting Efficiency) (lux/W)	23,7
LE class (Lighting Efficiency Class)	B
GFE (Grease Filtering Efficiency)	91,2
GFE Class (Grease Filtering Efficiency class)	B
Air flow at minimum speed (m³/h)	300
Air flow at maximum speed (m³/h)	500
Air flow at intensive speed (TURBO) (m³/h)	620
Sound Power Level at minimum speed (dB)	50
Sound Power Level at maximum speed (dB)	65
Sound Power Level at intensive speed (TURBO) (dB)	67
Po (Power Consumption in off mode) (W)	0,3
Ps (Power Consumption in standby) (W)	0
Integration directive EU 66/2014	
f (Time Increase Factor)	1,1
EEL (Energy Efficiency Index)	60,7
QBEP (Flow Rate at Best Efficiency Point) (m³/h)	326,9
PBEP (Static Pressure Difference at Best Efficiency Point) (Pa)	269,4
WBEP (Electric Power Input at Best Efficiency Point) (W)	97,1
WL (Nominal Power Consumption of Lighting system) (W)	7
EMIDDLE (Average Illumination of Lighting system on Cooking surface) (lux)	166
External Dimensions	
Width (mm)	1200
Depth (mm)	500
Total max height (mm)	170
Total min height (mm)	170
Outlet Diameter (mm)	180x90
Characteristics	
Motor	S6
Extraction Levels	3+1
Motor Maximum Power Consumption	105
Maximum Pressure	370
Intensive Speed (TURBO) Pressure	470
Control Type	Tc4i
Automatic shut-down timer	√
Electronic Filter Saturation Indicator	√
Filter Type	Metallic
Anti-grease Filter Number	2
Inner Shield	-
Lighting	
Light Type	SSLED
Adjustable Intensity Lighting	√
N° of Lamps	1
Installation	
Minimum height distance to a electric worktop hob (mm)	550
Minimum height distance to a gas worktop hob (mm)	660
Installation with Outlet tube to the exterior / Recirculating	BOTH
Easy Installation System	√
Electric Connection	
Total Rush Power (W)	112
Rated Voltage (V)	220-240
Network Frequency (Hz)	50
Electrical Insulation Class	CLASE I
Plug	-
Accessories	
Upper Decorative tube Extension	-
White Decorative Tube	-
Black Decorative Tube	-
Island Tube Enhancer	-
Check Valve	-
MAX PRO Metal Filter	-
Metal Filter	02800930
DUAL Filter (metal + active charcoal)	02800922
Active Charcoal Filter	-
Noiseless Flexible Duct	-