

1	2	3	4	5	6	7	8
标记	更改内容	区域	更改文件编号	日期	登记	审核	公差等级
△	整个说明书有变						>0.5~6
							>6~30
							>30~120
							>120~315
							>315~1000
							>1000~2000
							A级
							B级
							C级
							D级

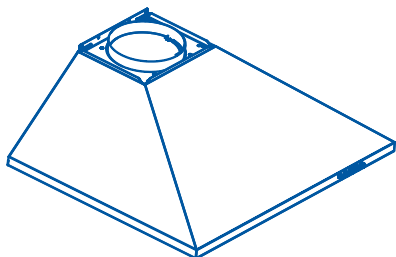
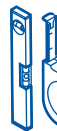
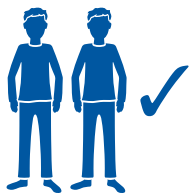
整个说明书有变

全部 6.3

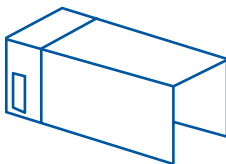


技术要求：
 1.字体要求印刷清晰，不能出现错印，漏印现象。
 2.尺寸按规格要求。
 3.印刷版面参照电子档。

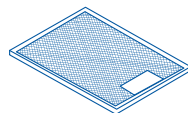
项目	批准	校核	设计	重要零件	材质	80克双胶纸	订单编号	PI-1888-20-1
签字				服务零件	规格	148*210	料号	B53-TD06-2065-02-XX
日期				安规零件	表面处理		图号	D
中山市甜美电器有限公司 ZhongShan Tianmei Electrical Appliances Co.,Ltd				比例			零件名称	2065说明书
				第一角法		数量	重量	1/1
				单位	mm	图幅		



[01] x 1



[02] x 1



[03]

60 cm model x 2 (fitted)
70 cm model x 2 (fitted)
90 cm model x 3 (fitted)



[04] x 1



[05] x 1



[06] x 1



[07] x 9



[08] x 1

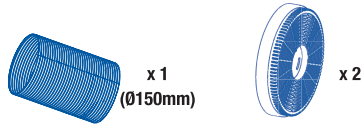


[09] x 9
(4x30 mm)



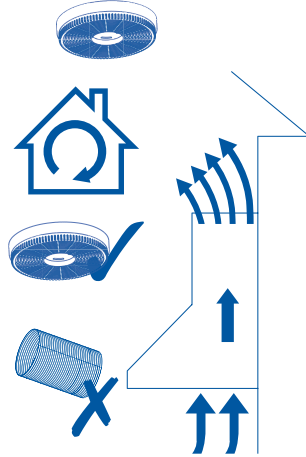
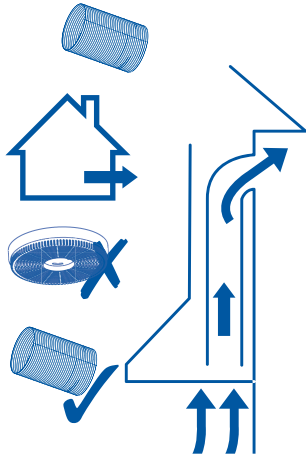
[10] x 2
(3x10 mm)

NOT INCLUDED / NO INCLUIDO / НЕ ВКЛЮЧЕНЫ

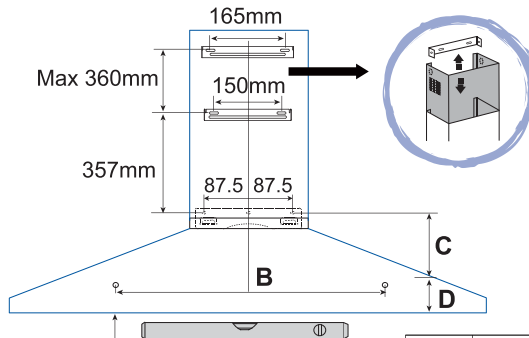


SUCTION VERSION (extraction to the outside)
 VERSIÓN DE SUCCIÓN
 РЕЖИМ ОТВОДА ВОЗДУХА

FILTERING VERSION (no extraction to the outside)
 VERSIÓN DE FILTRADO (RECICLADO INTERNO)
 ЭКСПЛУАТАЦИЯ ВЫТЯЖКИ С ФИЛЬТРОМ (ВНУТРЕННЯЯ РЕЦИРКУЛЯЦИЯ)



01



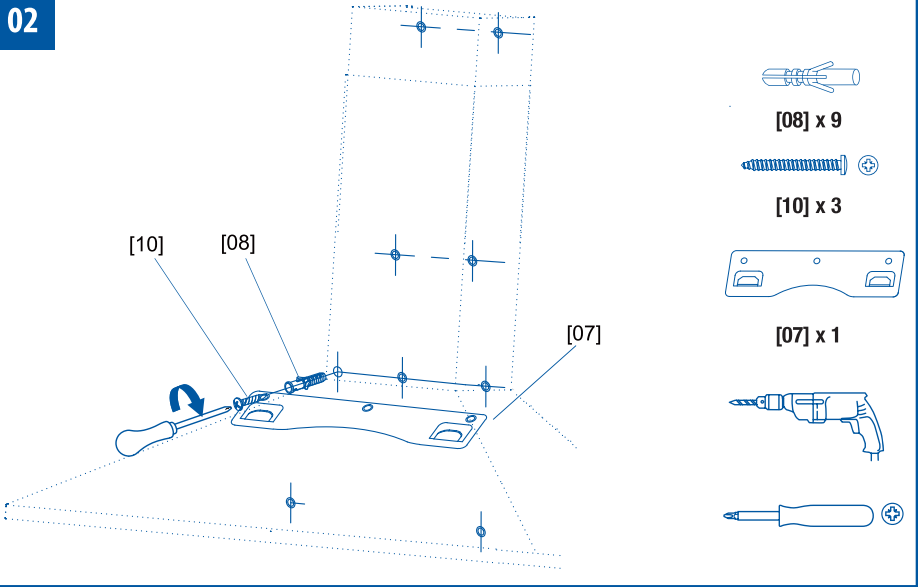
Model	Dim. B	Dim. C	Dim. D
V3-T600	340	163	42
V3-T700	350	143	61
V3-T900	470	125	82
V-6000	280	210	59
V-9000	320	210	59

DIM. A

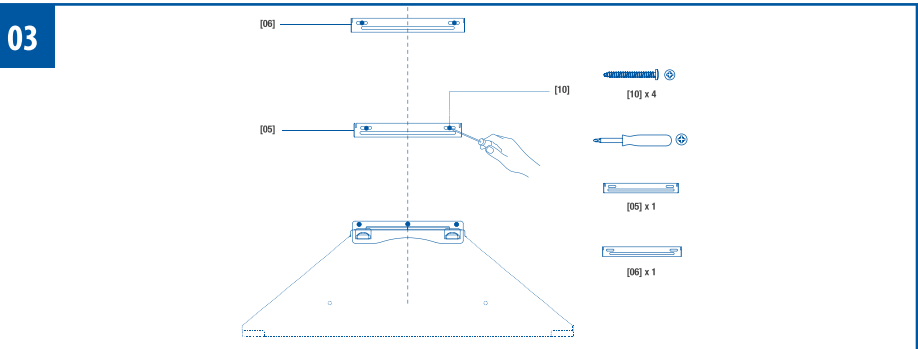
MIN. 750mm (GAS)

MIN. 650mm (Electric)

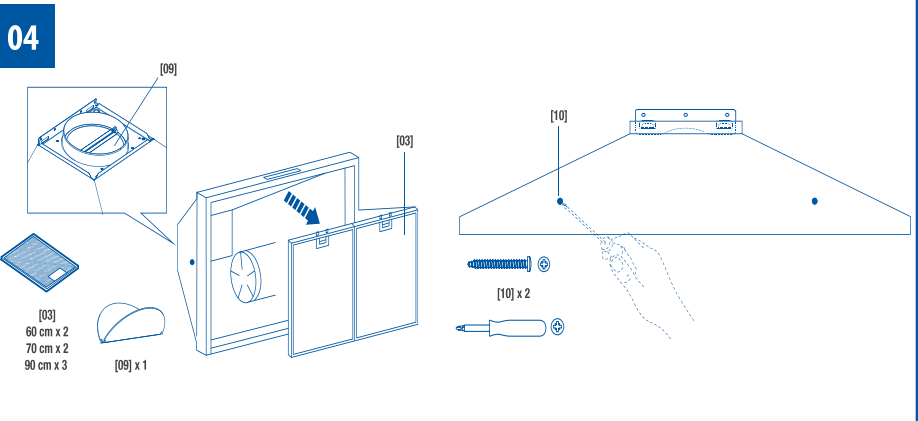
02



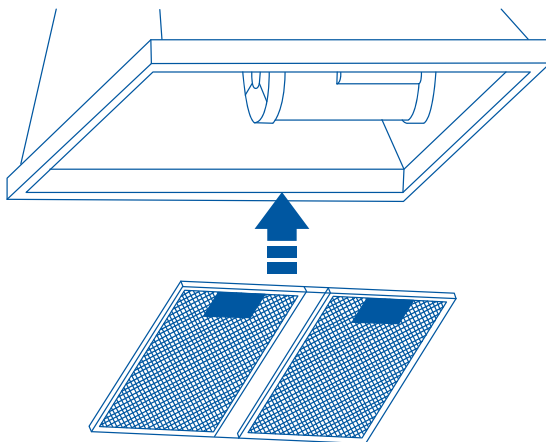
03



04

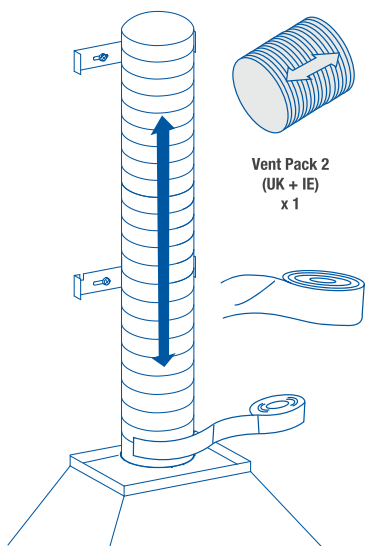


05



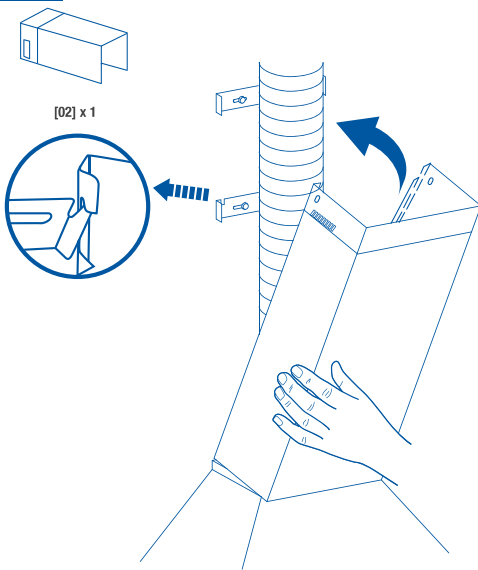
SUCTION VERSION (extraction to the outside) / VERSIÓN DE SUCCIÓN / РЕЖИМ ОТВОДА ВОЗДУХА

06

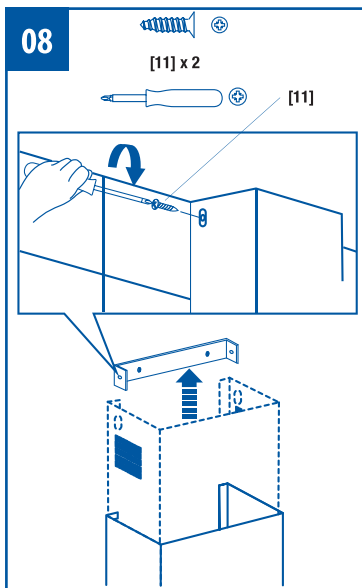


Vent Pack 2
(UK + IE)
x 1

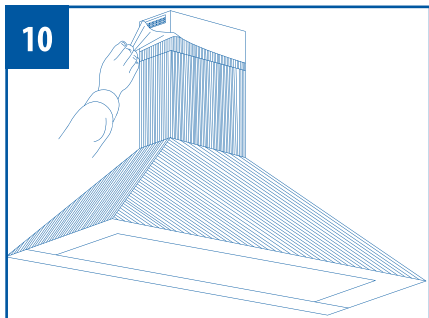
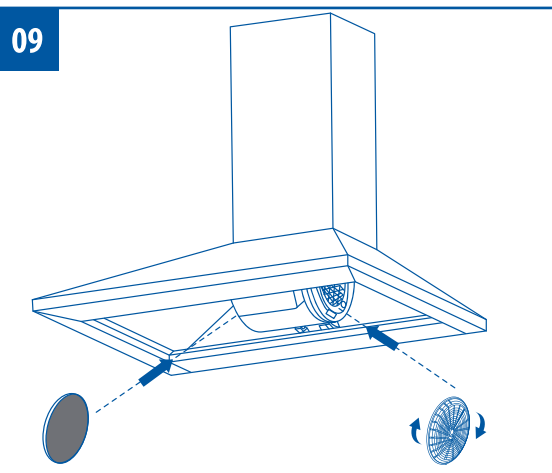
07



[02] x 1

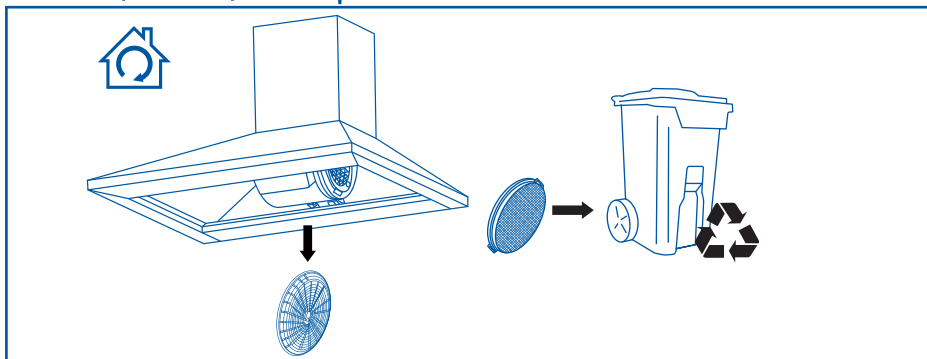


FILTERING VERSION (no extraction to the outside)
VERSIÓN DE FILTRADO (RECLADO INTERNO)
ЭКСПЛУАТАЦИЯ ВЫТЯЖКИ С ФИЛЬТРОМ (ВНУТРЕННЯЯ РЕЦИКУЛЯЦИЯ)

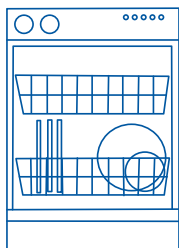
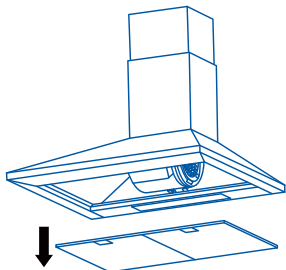


CARE & MAINTENANCE / MANTENIMIENTO DE LA CAMPANA / УХОД ЗА ВЫТЯЖКОЙ

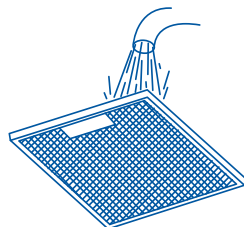
3 MONTHS / 3 MESES / 3 МЕСЯЦА



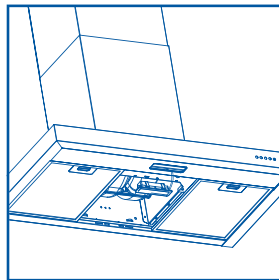
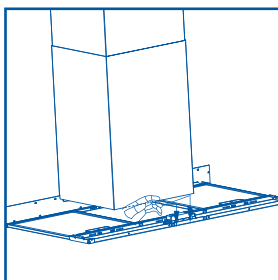
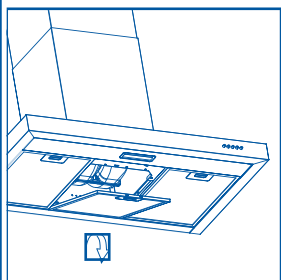
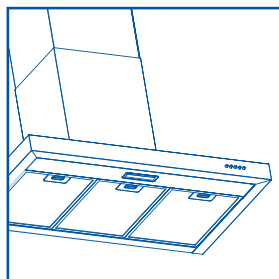
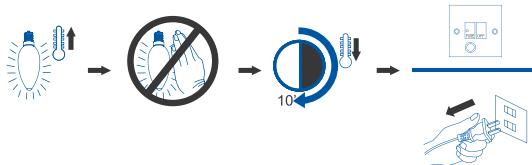
1 MONTH / 1 MES / 1 МЕСЯЦ



MAX.65°C



LAMP REPLACEMENT / REEMPLAZO LÁMPARAS / ЗАМЕНА ЛАМПЫ





Dear Customer,

Thank you for buying our hood. Please read these instructions carefully for its optimum installation, use and maintenance.

This appliance has been designed and manufactured exclusively for use at home. In order to ensure optimal installation, use and maintenance of the appliance, we recommend that you read these instructions carefully.

Check the appliance before installing it. Do not use the hood if it is damaged or faulty. If this is the case, please contact your distributor or installer.

⚠ Warning: You must comply with existing legislation on emission of fumes and environmental ventilation. Do not connect the hood to another vent for smoke, ventilation or hot air which is already being used by other appliances that are fuelled by gas or another fuel.

For optimal and safe performance, the pressure in the room should not drop by more than 4 Pa (0.04 mbar). For this purpose, sufficient permanent air inlets should be provided to prevent the premises from being sealed.

If a kitchen extractor hood and appliances fuelled by gas or another fuel are used simultaneously, there must be an appropriate ventilation system in the room.

Connecting the hood to the grid

⚠ Warning: before connecting the hood: shut off the power supply and check that the voltage and frequency supply matches that indicated on the rating plate of the equipment.

If the appliance is equipped with a plug, connect the hood to a socket located in an accessible area which is compliant with existing standards.

If the appliance is not equipped with a plug, connect the appliance directly to the power grid, protected by an omnipolar separating device which can be accessed to disconnect it, in accordance with local regulations.

If the power cable is damaged, it must be replaced by the manufacturer through its post-sale service, or by similar, qualified personnel in order to prevent danger.

Using the hood

⚠ Warning: during electrostatic discharge (e.g. a flash of lightning) the hood may stop working. This does not involve risk of damage. Shut off the power supply to the hood and re-connect it after one minute.

Children under the age of 8 years should be kept away from the appliance unless under permanent supervision.

This appliance can be used by children of 8 years and over and people with reduced physical, sensory or mental capacities or a lack of experience or knowledge, if supervised by a person responsible for their safety or if they have been given suitable instructions regarding the safe use of the appliance and they understand the risks involved. Children should not play with the appliance. The cleaning and maintenance to be performed by the user should not be carried out by unsupervised children.

To avoid the risk of fire, the metal filter should be cleaned regularly.

Containers with hot oil should be monitored continuously.

Do not set food alight under the hood.

Accessible parts may become hot when used with cooking appliances.

Legal information

The manufacturer:

- Declares that this appliance complies with the essential requirements for low-voltage electrical equipment, as set out in Directive 2014/35/EU, and electro-magnetic compatibility, as set out in Directive 2014/30/EU.
- Shall not be held responsible for failure to follow the instructions given in this manual or non-compliance with safety standards relating to the correct use of the equipment.
- Shall not be held responsible for any damage caused by the incorrect installation, use or maintenance of the appliance.
- Reserves the right to make any changes to the equipment or this manual without giving prior notice.

Should you need technical assistance or additional information about our products, please contact your distributor or an official, authorised technical service.



ELECTRIC INSTALLATION

Make sure the maximum air extraction flow rate for the appliances in the room does not exceed 4 Pa (0.04 mbar). The room must have adequate ventilation if an extractor hood is used simultaneously with appliances that run on gas or other fuels. The evacuated air must be extracted through ducts that are used for evacuating fumes from appliances that run on gas or other fuels. Regulations regarding air extraction must be complied with.

This product is intended for HOUSEHOLD USE only.

Use a rigid PVC pipe with a min. Ø 120 mm to evacuate fumes outside.

The above restrictions do not apply to hoods with no fumes outlet to outside (recirculation system with activated charcoal filter).

⚠ Warning: Failure to install the screws or fixing device in accordance with these instructions may result in electrical hazards.

Installation and connection

- This appliance is only intended for domestic use.
- Please observe the special installation instructions.
- The appliance is fitted with a plug and must only be connected to a properly installed earthed socket.
- The mains voltage must correspond to the voltage specified on the rating plate.
- The socket must be installed and connecting cable must only be replaced by a qualified electrician. If the plug is no longer accessible following installation, an all-pole disconnecting device must be present on the installation side with a contact gap of at least 3mm.
- Adapters, multi-way strips and extension leads must not be used. Overloading can result in a risk of fire.

⚠ Warning: This is a Class I appliance and **MUST** be earthed.

This appliance is supplied with a 3 core mains cable coloured as follows:

- Brown = L or Live
- Blue = N or Neutral
- Green and Yellow = E or Earth

SUCTION VERSION

If the hood is to be installed as a SUCTION hood, connect the plastic outlet piece supplied with the hood pipe for better performance and lower noise levels.

FILTERING VERSION (INTERNAL RE-CYCLING)

When there is no exhaust duct for venting out-door, you can use a carbon filter. The air is depurated by the filter and put again in the surrounding.

The air is released in the room through a connecting pipe, which goes through the hanging cupboard and is connected to the connecting ring supplied.

To use the appliance in this version, proceed as follows:

1. Open the grids / 2. Place the carbon filter / 3. Reinstall the grids.

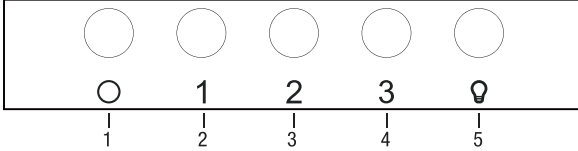
Install the hood in line with the instructions on the template.

For gas cooking appliances only: the minimum distance to the Hood must be at least 75 cm.



USE

This appliance extracts the air of the Kitchen to remove the odours and keep an optimum level of air quality inside the room, it also allows you to illuminate the cooking area.



Five-button panel

- 1- Extractor fan off.
- 2- Extractor fan speed - button: speed 1
- 3- Extractor fan speed - button: speed 2
- 4- Extractor fan speed - button: speed 3
- 5- Lighting on and off.

To obtain the best results from your cooker hood it is recommended that you leave it switched on for 15 minutes after you have finished cooking.



CARE & MAINTENANCE

⚠ Warning: always switch off the electricity supply before carrying out maintenance work on the hood. In the event of a fault, contact an official distributor or authorised dealer.

Cleaning the outside: use liquid, non-corrosive detergent and avoid using abrasive cleaning products and solvents. Do not use high-pressure or steam cleaning devices.

❗ Important: increase the filter cleaning/replacement frequency if the hood is used for more than 2 hours a day. Always use genuine filters from the manufacturer.

Carbon filter replacement

Activated charcoal filters: replace them every 3 months.

Grease cleaning

To avoid fires, clean thoroughly once a month or whenever the display pilot light indicates as such. To do so, remove the filters and wash with hot water and detergent. If using a dishwasher (metal parts may turn black without this affecting their functional capacity), load the filters vertically to avoid solid residue from being deposited.

Lamp replacement

⚠ Warning: do not handle the bulbs until the electricity supply has been switched off and they have cooled.

❗ Important: use new bulbs according to that indicated on the hood nameplate.

If using LED lighting, do not look directly at the light.

Use bulbs with an aluminium reflector to replace halogen bulbs. Do not use dichroic bulbs - risk of overheating.

For LED lamp replacements, please contact Technical Support or the distributor of the brand.



FAQS

Problem	Cause / Solution
The lamps do not work	A change may be necessary, but first check that the lamp is correctly positioned and that the contact is correct. Remember that lamps are not covered by the warranty. Disconnect the current hood before handling the lamps. Use lamps with the same properties described on the nameplate. It is advisable to use lamps supplied by the manufacturer of the hood.
The motor works, but it seems to have requested performance or extraction capacity	The selected speed is too low / Select a higher speed. Check the Metallic Filter (grease filter). If it has not been washed recently, it may be clogged with grease or dirt. Disassemble and wash it in hot water and detergent, and let it dry before reassembling again. Ensure that the air outlet tube has not been obstructed.
The hood works, but the smell of the food persists.	If you are using the hood in recirculation mode, the Active Carbon Filter must be replaced.
The hood does not work	Check that the hood is connected to power. Check that the fuses or automatic have not jumped.
The hood still does not work	If, after having checked the points mentioned above, your problem has not yet been solved, contact the technical service or your distributor.



España	902 410 450 / +34 938 521 818	info@cnagroup.es
Portugal	+351 214 349 771	cata.pt@cnaservice.com
Deutschland	+49 33224289171	cata.de@cnaservice.com
France	+33 4 13 75 89 46	cata.fr@cnaservice.com
Benelux	+31 162 - 435847	cata.benelux@cnaservice.com
Danmark	0045 70130222	cata.dk@cnaservice.com

THE MANUFACTURER guarantees conformity of this product, which is designed solely and exclusively for household use, for a period of three (3) years from the date of the invoice, receipt of purchase or delivery note (in the case of distance selling) duly stating the acquired appliance. This warranty includes both parts and labour, and the travel of the technical staff of the nearest Official Service (except in the case of products which, due to their small size and mobility, should be transported by the user to the Official Technical Service).

For the application of this warranty, the consumer should contact the distributor or the Customer Service of Cata Electrodomésticos.

The Manufacturer may exercise its right of decision to repair or replace the defective product when the cost of one of the two options is considered to be disproportionate.


If repair or replacement is not possible or not appropriate, the consumer may choose a price reduction or purchase cancellation (as specified in Spanish Royal Decree Law 1/2007 or in accordance with current legislation).

“EXCLUSION CLAUSES

This warranty does not apply in the following cases:”

- Failure to follow instructions covered in the Instruction Manual.
- Misuse or normal wear and tear of the product (filters, bulbs, gaskets, rubber components, paints, varnishes, etc.).
- Tampering thereof by unauthorized persons.
- Lack of cleaning or of regular maintenance of the product.
- Breakdowns or damage caused by the chemical or electrochemical effects of water or by contact with inappropriate substances, outside of that stipulated in the Instruction Manual.
- Incidents resulting from physical breakage not attributable to a manufacturing defect (casing, glass, trim, plastics, filters, controls, etc.).

This warranty does not affect the consumer rights in accordance with current legislation.

The symbol  on the product or on its packaging indicates that this product may not be treated as household waste. Instead it shall be handed over to the applicable collection point for the recycling of electrical and electronic equipment. By ensuring this product is disposed of correctly, you will help prevent potential negative consequences for the environment and human health, which could otherwise be caused by inappropriate waste handling of this product. For more detailed information about recycling of this product, please contact your local city office, your household waste disposal service or the shop where you purchased the product.



Estimado cliente:

Agradecemos la compra de nuestra campana. Le rogamos lea atentamente estas instrucciones para una óptima instalación, uso y mantenimiento de la misma.

Este aparato ha sido diseñado y fabricado exclusivamente para uso doméstico. Compruebe el aparato antes de instalarlo. No utilice la campana si presenta daños o desperfectos, en ese caso contacte con su distribuidor o instalador.

⚠ Atención: Respete el cumplimiento de la legislación vigente sobre salida de humos y ventilación del ambiente. No conecte la campana a otro conducto de humo, aireación o aire caliente ya en uso por otros aparatos alimentados por gas u otro combustible.

Para un funcionamiento óptimo y seguro no debe superarse una depresión de 4 Pa (0,04 mbar) en el recinto. Para ello disponer de entradas de aire permanentes suficientes a fin de evitar la estanqueidad del local.

Debe estar prevista una ventilación conveniente de la habitación si se utilizan simultáneamente una campana extractora de cocina y aparatos alimentados por gas u otro combustible.

Conexión de la campana a la red

⚠ Atención: antes de conectar la campana: corte el suministro eléctrico y compruebe que la tensión y frecuencia suministrada coincide con la indicada en la placa de características del equipo.

Si el aparato está provisto de un enchufe, conecte la campana a una base de enchufes conforme a las normas vigentes situada en una zona accesible.

Si el aparato no está provisto de un enchufe, conecte el aparato directamente a la red eléctrica, protegida por un dispositivo separador accesible para su desconexión, omnipolar, acorde a la reglamentación local.

Si el cable de alimentación está dañado, debe ser sustituido por el fabricante, por su servicio posventa o por personal cualificado similar con el fin de evitar un peligro.

Uso de la campana

⚠ Atención : durante una descarga electrostática (p. ej. un rayo) la campana puede dejar de funcionar. Esto no supone riesgo de daños. Corte el suministro eléctrico de la campana y vuelva a conectar transcurrido un minuto.

Los niños menores de 8 años deben permanecer alejados a menos que estén bajo supervisión permanente.

Este aparato pueden utilizarlo niños con edad de 8 años y superior y personas con capacidades físicas, sensoriales o mentales reducidas o falta de experiencia y conocimiento, si están bajo supervisión de un responsable de su seguridad o se les ha dado las instrucciones apropiadas respecto al uso del aparato de una manera segura y comprenden los peligros que implica. Los niños no deben jugar con el aparato. La limpieza y el mantenimiento a realizar por el usuario no deben realizarlos los niños sin supervisión.

Para evitar posibles incendios limpie periódicamente el filtro metálico.

Controle permanentemente los recipientes con aceite caliente.

No flamee alimentos bajo la campana.

Las partes accesibles pueden calentarse cuando se utiliza con aparatos de cocción.

Información legal

El fabricante:

- Declara que este equipo cumple los requisitos esenciales sobre material eléctrico de baja tensión, prescritos en la directiva 2014/35/EU y de compatibilidad electromagnética prescrita por la directiva 2014/30/EU.
- No se hace responsable por la no observación de las indicaciones del presente manual y las normas de seguridad vigentes para el correcto uso del equipo.
- No se hace responsable de los daños causados por una instalación, uso o mantenimiento incorrectos del aparato.
- Se reserva el derecho de efectuar cualquier modificación sin previo aviso en el equipo o el presente manual.

Contacte con su distribuidor o un servicio técnico oficial autorizado en caso que necesite asistencia técnica o información adicional sobre nuestros productos.



INSTALACIÓN e INSTALACIÓN ELECTRICA

Debe estar prevista una ventilación conveniente de la habitación si se utilizan simultáneamente una campana extractora de cocina y aparatos alimentados por gas u otro combustible. El aire evacuado no debe ser enviado por conductos que se utilicen para evacuar los humos de aparatos alimentados por gas u otro combustible. Los reglamentos respecto a la evacuación de aire tienen que ser respetados. Este producto está pensado sólo para USO DOMÉSTICO.

Para la evacuación de humos al exterior usar un tubo de PVC rígido de mín. Ø 120 mm.

Se recomienda no colocar codos en el tubo salida, con una distancia inferior entre la salida campana y el codo de 1 metro. Las restricciones anteriores no aplican a campanas sin salida de humos al exterior (sistema de recirculación con filtro de carbón activo).

El aparato debe conectarse directamente a la red eléctrica mediante un disyuntor omnipolar con una apertura mínima de 3 mm entre los contactos.

El instalador debe garantizar una conexión eléctrica correcta y que cumpla con el esquema de cableado.

El cable no debe quedar doblado ni comprimido.

Compruebe regularmente el enchufe y el cable de alimentación en busca de daños. Si el cable de alimentación está dañado, debe ser sustituido por un cable o conjunto especial que podrá adquirir del fabricante o de su distribuidor local.

⚠ ADVERTENCIA: Este es un dispositivo de Clase I y DEBE conectarse a tierra.

Este aparato se suministra con un cable de alimentación de tres núcleos coloreados como sigue:

Marrón = L o positivo

Azul = N o negativo

Verde y amarillo = E o tierra

VERSIÓN DE SUCCIÓN

Si la campana fuera utilizada en su versión "SUCCIÓN", conectar la pieza de plástico de salida, suministrada con la campana a un conducto de evacuación conectado directamente con el exterior.

VERSIÓN DE FILTRADO (RECICLADO INTERNO)

Cuando no existe un conducto de escape para la ventilación al exterior, puede utilizar un filtro de carbono.

El aire se depura por medio del filtro y se expulsa de nuevo en el entorno.

El aire se libera en la estancia a través de una tubería de conexión que pasa por el armario suspendido y se conecta al anillo de conexión suministrado.

Para utilizar el aparato en esta versión, proceda del modo siguiente:

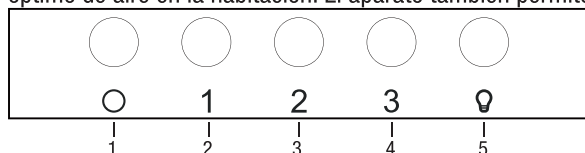
- Abra las rejillas.
- Coloque el filtro Carbón Activo.
- Coloque de nuevo las rejillas.

Sólo para aparatos de cocción a gas: La distancia mínima hasta la campana debe ser como mínimo 75 cms.



USO

Este aparato extrae los humos de la cocina para eliminar olores y mantener la calidad y nivel óptimo de aire en la habitación. El aparato también permite iluminar el área de cocinado.



Panel de cinco pulsadores

- 1- Apagado del extractor.
- 2- Velocidad del extractor - pulsador: 1º vel.
- 3- Velocidad del extractor - pulsador: 2º vel.
- 4- Velocidad del extractor - pulsador: 3º vel.
- 5- Encendido y apagado de la iluminación.

Para obtener un mejor rendimiento de su campana se recomienda dejar en funcionamiento durante al menos 15 minutos una vez acabado el cocinado.



MANTENIMIENTO DE LA CAMPANA

⚠ Atención: corte siempre el suministro eléctrico antes de realizar el mantenimiento de la campana. En caso de avería, contacte a un distribuidor oficial o un agente autorizado.

Limpieza externa: use detergente líquido, no corrosivo y evite el uso de productos de limpieza abrasivos y disolventes.

No utilizar dispositivos de limpieza por alta presión o vapor.

! Importante: aumente la frecuencia de limpieza/sustitución de filtros si la campana se usa más de 2 horas diarias. Utilice siempre filtros originales del fabricante.

Filtros de carbón activo

Deben ser reemplazados cada 3 meses.

Filtros de grasa

Para evitar posibles incendios límpielos rigurosamente una vez al mes o cuando el testigo indicador lo advierta. Para ello, desmonte los filtros y lávelos con agua caliente y detergente. No usar abrillantador. Si usa lavavajillas (podría ennegrecer las partes metálicas sin afectar a su capacidad funcional), disponga verticalmente los filtros para evitar que se depositen restos sólidos.

Reemplazo lámparas

⚠ Atención: no manipule las lámparas hasta que se haya cortado el suministro eléctrico y haya disminuido su temperatura.

! Importante: utilice lámparas nuevas de acuerdo a lo indicado en la placa de características de la campana.

En caso de iluminación LED, no fijar la vista directamente a la luz.

Utilice lámparas con reflector de aluminio para sustituir lámparas halógenas. No utilice lámparas dicróicas - riesgo de sobrecalentamiento.

Para adquirir recambios de lámparas LED contacte con el Servicio Técnico o distribuidor de la marca.



Problema	Causa / Solución
No funcionan las lámparas	Es posible que sea necesario un cambio, pero antes se debe revisar que la lámpara está correctamente colocada y que el contacto es correcto. Recuerde que las lámparas no están cubiertas por la garantía. Desconecte la campana de corriente antes de manipular las lámparas. Utilice lámparas de las mismas propiedades descritas en la placa de características. Se aconseja utilizar lámparas suministradas por el fabricante de la campana.
El motor funciona, pero parece haber perdido rendimiento o capacidad de extracción	La velocidad seleccionada es demasiado baja / Seleccionar una velocidad mayor Revisar el Filtro Metálico (filtro de grasa). Si no se ha lavado recientemente, puede estar obstruido por grasa o suciedad. Desmontarlo y lavarlo en agua caliente y detergente, y dejarlo secar antes de volver a montarlo. Asegurar que el tubo salida de aire no ha sido obstruido.
La campana funciona correctamente, pero el olor de la comida persiste.	Si está utilizando la campana en modo recirculación, el Filtro de Carbón Activo debe ser reemplazado.
La campana no funciona	Revisar que la campana está conectada a corriente. Revisar que no han saltado los fusibles o automáticos.
La campana sigue sin funcionar	Si, después de haber comprobado los puntos comentados más arriba aún no se ha solventado su problema, contacte con el servicio técnico o con su distribuidor.



España	902 410 450 / +34 938 521 818	info@cngroup.es
Portugal	+351 214 349 771	cata.pt@cnaservice.com
Deutschland	+49 33224289171	cata.de@cnaservice.com
France	+33 4 13 75 89 46	cata.fr@cnaservice.com
Benelux	+31 162 - 435847	cata.benelux@cnaservice.com
Danmark	0045 70130222	cata.dk@cnaservice.com

EL FABRICANTE garantiza la conformidad de este producto, que ha sido diseñado para uso único y exclusivo doméstico, durante un periodo de tres (3) años, a contar desde la fecha de la factura, tique de compra o albarán de entrega (en casos de venta a distancia) donde figure debidamente el aparato adquirido.

Esta garantía incluye tanto materiales como mano de obra, y el desplazamiento del personal técnico del Servicio Oficial más próximo (excepto en el caso de productos que por su pequeño tamaño y movilidad deberá ser transportado por el usuario al Servicio Técnico Oficial).

Para la aplicación de la presente Garantía, el consumidor deberá ponerse en contacto con el distribuidor o el servicio de Atención al Cliente de Cata Electrodomésticos.

El Fabricante podrá ejercer su derecho de decisión de reparar o reemplazar el producto defectuoso cuando el coste de una de las dos opciones se considere desproporcionado.


Si la reparación o sustitución no fuese posible o apropiada, el consumidor podrá optar por una rebaja en el precio o por la cancelación de la compra según lo especificado en el RD Ley 1/2007 o según legislación vigente.

“CLAUSULAS DE EXCLUSION

La presente garantía no se aplicará en los siguientes supuestos:”

- El incumplimiento de las indicaciones reflejadas en el Manual de instrucciones.
- Uso inadecuado o desgaste normal del producto (filtros, bombillas, juntas, gomas, esmaltes, pinturas...).
- Manipulación indebida del mismo por persona no autorizada.
- Falta de limpieza o de operaciones de mantenimiento periódico del producto.
- Averías o daños causados por efectos químicos o electroquímicos del agua o por el contacto con sustancias inapropiadas, fuera de lo establecido en el manual de instrucciones.
- Incidencias derivadas de una rotura física, no atribuible a un defecto de fabricación (carcasas, cristales, embellecedores, plásticos, filtros, mandos,...).

La presente garantía no afecta a los derechos de que dispone el consumidor conforme a lo previsto según legislación vigente.

El símbolo  en el producto o en su embalaje indica que este producto no se puede tratar como desperdicios normales del hogar. Este producto se debe entregar al punto de recolección de equipos eléctricos y electrónicos para reciclaje. Al asegurarse de que este producto se deseché correctamente, usted ayudará a evitar posibles consecuencias negativas para el ambiente y la salud pública, lo cual podría ocurrir si este producto no se manipula de forma adecuada. Para obtener información más detallada sobre el reciclaje de este producto, póngase en contacto con la administración de su ciudad, con su servicio de desechos del hogar o con la tienda donde compró el producto.



Lieber Kunde:

Wir bedanken uns bei Ihnen für den Kauf unserer Abzugshaube. Wir möchten Sie bitten, diese Anleitung sorgfältig zu lesen, um den optimalen Einbau sowie die optimale Nutzung und Wartung zu gewährleisten.

Dieses Gerät wurde exklusiv für den Haushaltsgebrauch entwickelt und hergestellt.

Bitte lesen Sie diese Anleitung sorgfältig durch, um eine optimale Installation, Nutzung, Pflege und Instandhaltung des Geräts zu gewährleisten.

Bitte kontrollieren Sie das Gerät vor der Installation. Verwenden Sie die Abzugshaube nicht, wenn diese Schäden oder Fehler aufweist. Wenden Sie sich in solchen Fällen an Ihren Händler oder Installateur.

⚠️ Warnung: Bitte beachten Sie die geltenden Bestimmungen über Abluftabführung und Raumbelüftung! Die Abzugshaube darf nicht an andere Abluft- bzw. Abgas-, Belüftungs- oder Heißluftkanäle angeschlossen werden, die von anderen Apparaten abgehen, die mit Gas oder anderen Brennstoffen betrieben werden.

Für den optimalen und sicheren Betrieb des Geräts darf der Unterdruck im Raum nicht über 4 Pa (0,04 mbar) betragen. Zur Unterbindung der Luftdichtheit im Raum müssen passend ausgelegte Lüftungsöffnungen vorgesehen werden, die eine ausreichende Dauerbelüftung gewährleisten.

Wenn die Küchenabzugshaube gleichzeitig mit anderen Apparaten benutzt wird, die mit Gas oder anderen Brennstoffen betrieben werden, muss für eine ausreichende Belüftung im Raum gesorgt werden.

Elektroanschluss der Abzugshaube

⚠️ Warnung: Schalten Sie die Stromversorgung vor dem Anschließen der Abzugshaube an das Stromnetz ab und vergewissern Sie sich, dass die Versorgungsfrequenz mit den Angaben auf dem Typenschild des Geräts übereinstimmt.

Wenn das Gerät mit einem Stecker ausgestattet ist, muss die Abzugshaube in Einklang mit den geltenden Bestimmungen an eine leicht zugängliche Steckdose angeschlossen werden.

Wenn das Gerät ohne Stecker geliefert wurde, muss die Abzugshaube direkt an das Stromnetz angeschlossen werden. Hierfür ist die Installation gemäß den örtlichen Bestimmungen mit einem mehrpoligen Trennschalter auszustatten, der leicht zugänglich sein muss, um das Ein- und Ausschalten des Geräts zu ermöglichen.

Zur Vermeidung von Gefahren darf das Netzkabel bei Beschädigung ausschließlich vom Hersteller, dem zuständigen Kundendienst oder qualifiziertem Fachpersonal ausgewechselt werden.

Handhabung und Betrieb der Abzugshaube

⚠️ Warnung: Im Fall einer elektrostatischen Entladung (z. B. Blitzeinschlag) kann es zu einem Betriebsausfall der Abzugshaube kommen. Dies bedeutet nicht, dass das Gerät beschädigt wurde.

Schalten Sie die Stromzufuhr zur Abzugshaube aus, warten Sie eine Minute und schalten Sie sie anschließend wieder ein.

Dieses Gerät kann von Kindern ab 8 Jahren und Personen mit eingeschränkten körperlichen, sensorischen oder geistigen Fähigkeiten oder Personen ohne angemessene Erfahrung und Kenntnisse bedient werden, sofern sie sich unter Aufsicht einer dritten Person befinden, die für ihre Sicherheit verantwortlich ist, oder wenn diese Personen auf angemessene Weise in die sichere Benutzung des Geräts eingewiesen wurden und die damit einhergehenden Gefahren verstehen. Das Gerät ist kein Kinderspielzeug. Kinder ohne Aufsicht dürfen nicht mit der Reinigung und Pflege des Geräts betraut werden, die durch den Benutzer durchzuführen ist.

Reinigen Sie den Metallfilter in regelmäßigen Abständen, um Feuer zu vermeiden.

Kochutensilien mit heißem Öl nicht unbeaufsichtigt lassen.

Keine Lebensmittel unter der Abzugshaube flambieren.

Die zugänglichen Teile können beim Kochen heiß werden.

Rechtliche Hinweise

Der Hersteller:

- Erklärt, dass dieses Gerät die grundlegenden Anforderungen für elektrische Betriebsmittel der Niederspannungsrichtlinie 2014/35/EU und die Anforderungen für elektromagnetische Verträglichkeit der Richtlinie 2014/30/EU erfüllen.

- Lehnt jegliche Haftung im Fall von Nichtbeachtung der Anweisungen dieses Handbuchs und der geltenden Sicherheitsbestimmungen für den sachgemäßen Gebrauch des Geräts ab.

- Lehnt jegliche Haftung im Fall von Schäden infolge unsachgemäßer Installation, Nutzung oder Pflege bzw. Instandhaltung des Geräts ab.

- Behält sich das Recht auf Änderungen in Bezug auf das Gerät oder dieses Handbuch ohne vorherige Ankündigung vor.

Bitte wenden Sie sich an Ihren Händler oder einen offiziellen Servicebetrieb, wenn Sie einen technischen Service oder zusätzliche Informationen zu unseren Produkten benötigen.



Vergewissern Sie sich, dass der maximale Absaugvolumenstrom für die Geräte im Raum 4 Pa (0,04 mbar) nicht überschreitet. Der Raum muss ausreichend belüftet sein, wenn eine Dunstabzugshaube gleichzeitig mit Geräten verwendet wird, die mit Gas oder anderen Brennstoffen betrieben werden. Die abgesaugte Luft muss durch Leitungen abgeführt werden, die zum Entlüften der Dämpfe von Geräten verwendet werden, die mit Gas oder anderen Brennstoffen betrieben werden. Die geltenden Vorschriften zur Entlüftung müssen eingehalten werden.

Dieses Produkt ist ausschließlich für den HAUSGEBRAUCH bestimmt.

Verwenden Sie zur Ableitung der Dämpfe nach außen ein hartes PVC-Rohr mit einem Mindestdurchmesser von 120 mm.

Die obigen Einschränkungen gelten nicht für Abzugshauben ohne Ableitung nach außen (Umluftsystem mit Aktivkohlefilter).

⚠️ Warnung: Die Nichtbeachtung dieser Anweisungen bei der Anbringung der Schrauben oder der Befestigungsvorrichtung kann zu elektrischen Gefahren führen.

Installation und Anschluss

- Dieses Gerät ist ausschließlich für den Hausgebrauch bestimmt.
- Beachten Sie bitte die speziellen Installationsanweisungen.
- Das Gerät ist mit einem Stecker ausgestattet und darf nur an eine ordnungsgemäß installierte geerdete Steckdose angeschlossen werden.
- Die Netzspannung muss mit der auf dem Typenschild angegebenen Spannung übereinstimmen.
- Die Steckdose muss von einem qualifizierten Elektriker installiert und das Anschlusskabel darf nur von einem qualifizierten Elektriker ausgetauscht werden. Falls der Stecker nach der Installation nicht mehr zugänglich ist, muss auf der Installationsseite eine allpolige Trennvorrichtung mit einem Kontaktabstand von mindestens 3 mm angebracht werden.
- Es dürfen keine Adapter, Steckerleisten oder Verlängerungskabel verwendet werden. Bei Überlastung besteht Brandgefahr.

⚠️ Warnung: Dies ist ein Gerät der Klasse 1 und MUSS geerdet werden.

Dieses Gerät wird zusammen mit einem Stromkabel mit 3 Adern in folgenden Farben geliefert:

- Braun = L oder Außenleiter
- Blau = N oder Neutraleiter
- Grün und Gelb = E oder Schutzleiter

ABSAUGVERSION

Soll die Haube als Absaughaube installiert werden, schließen Sie das mit dem Haubenrohr mitgelieferte Auslassteil aus Kunststoff an, um eine bessere Leistung und einen niedrigeren Geräuschpegel zu erzielen.

FILTERVERSION (INTERNE UMLUFT)

Wenn keine Abluftleitung zur Entlüftung nach außen vorhanden ist, können Sie einen Kohlefilter verwenden. Die Luft wird durch den Filter gereinigt und zurück in den Raum geleitet.

Die Luft wird durch ein Verbindungsrohr in den Raum geleitet, das durch den Hängeschrank führt und mit dem mitgelieferten Anschlussring verbunden ist.

Um das Gerät in dieser Ausführung zu verwenden, verfahren Sie wie folgt:

1. Öffnen Sie das Gitter / 2. Setzen Sie den Kohlefilter ein / 3. Installieren Sie das Gitter wieder.

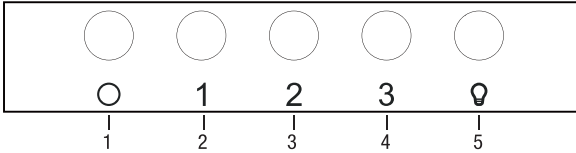
Montieren Sie die Haube entsprechend den Anweisungen auf der Schablone.

Nur für Gaskochgeräte: Der Abstand zur Haube muss mindestens 75 cm betragen.



VERWENDUNG

Dieses Gerät saugt die Luft aus der Küche ab, um Gerüche zu entfernen und eine optimale Luftqualität im Raum zu gewährleisten. Es bietet außerdem die Möglichkeit, den Kochbereich zu beleuchten.



Bedienfeld mit fünf Tasten

1. Dunstabzugshaube ausschalten.
2. Einstellung der Abzugsgeschwindigkeit: Geschwindigkeit 1
3. Einstellung der Abzugsgeschwindigkeit: Geschwindigkeit 2
4. Einstellung der Abzugsgeschwindigkeit: Geschwindigkeit 3
5. Ein-Aus-Schalter für die Beleuchtung.

Zur Erzielung eines optimalen Ergebnisses mit Ihrer Dunstabzugshaube wird empfohlen, diese nach dem Kochvorgang 15 Minuten lang eingeschaltet zu lassen.



PFLEGE UND WARTUNG

⚠️ Warnung: Schalten Sie vor Wartungsarbeiten an der Haube immer die Stromversorgung ab. Wenden Sie sich bei einer Störung an einen offiziellen Vertriebspartner oder Vertragshändler.

Außenreinigung: Verwenden Sie flüssige, nicht ätzende Reinigungsmittel und vermeiden Sie die Verwendung von scheuernden Reinigungs- und Lösungsmitteln. Verwenden Sie keine Hochdruck- oder Dampfreinigungsgeräte.

🔴 Wichtig: Wenn die Haube mehr als zwei Stunden täglich benutzt wird, sollte die Häufigkeit der Filterreinigung/des Filterwechsels erhöht werden. Verwenden Sie ausschließlich Originalfilter des Herstellers.

Austausch des Kohlefilters

Aktivkohlefilter: alle drei Monate ersetzen.

Entfettung

Zur Vermeidung von Bränden einmal im Monat oder immer dann, wenn die Kontrollleuchte auf der Anzeige dies anzeigt, gründlich reinigen. Entfernen Sie dazu die Filter und waschen Sie sie mit heißem Wasser und Reinigungsmittel. Bei Reinigung in der Geschirrspülmaschine (Metallteile können sich schwarz verfärben, was deren Funktionsfähigkeit jedoch nicht beeinträchtigt) müssen die Filter vertikal eingelegt werden, um die Ablagerung fester Rückstände zu vermeiden.

Austausch der Glühlampe

⚠️ Warnung: Die Glühlampen erst anfassen, wenn die Stromversorgung abgeschaltet ist und sie abgekühlt sind.

! Wichtig: Verwenden Sie neue Glühlampen, die den Angaben auf dem Typenschild der Haube entsprechen.

Bei Verwendung von LED-Beleuchtung nicht direkt in das Licht schauen.

Verwenden Sie als Ersatz für Halogenlampen Glühlampen mit einem Aluminiumreflektor. Keine dichroitischen Glühlampen verwenden, da bei diesen Überhitzungsgefahr besteht.

Für den Austausch von LED-Glühlampen wenden Sie sich bitte an den technischen Kundendienst oder den Vertriebspartner der Marke.



HÄUFIG GESTELLTE FRAGEN

Problem	Ursache/Lösung
Die Glühlampen funktionieren nicht	Die Lampen müssen möglicherweise ausgetauscht werden. Prüfen Sie jedoch zuerst, ob die Glühlampe ordnungsgemäß eingesetzt ist und ob ein ordnungsgemäßer Kontakt besteht. Beachten Sie bitte, dass Glühlampen nicht unter die Garantie fallen. Trennen Sie die Stromzufuhr zur Haube ab, bevor Sie an den Glühlampen arbeiten. Verwenden Sie Glühlampen mit den auf dem Typenschild beschriebenen Eigenschaften. Wir empfehlen, vom Hersteller der Haube gelieferte Glühlampen zu verwenden.
Der Motor funktioniert, scheint aber an Leistung oder Absaugkapazität verloren zu haben	Die gewählte Geschwindigkeit ist zu niedrig / Wählen Sie eine höhere Geschwindigkeit. Überprüfen Sie den Metallfilter (Fettfilter). Falls dieser nicht kürzlich gewaschen wurde, kann er mit Fett oder Schmutz verstopft sein. Nehmen Sie den Filter auseinander, waschen Sie ihn mit heißem Wasser und Reinigungsmittel und lassen Sie ihn trocknen, bevor Sie ihn wieder zusammensetzen. Vergewissern Sie sich, dass das Abluftrohr nicht verstopft ist.
Die Haube funktioniert, der Essensgeruch bleibt jedoch bestehen	Falls Sie die Haube im Umluftmodus verwenden, muss der Aktivkohlefilter ausgetauscht werden.
Die Haube funktioniert nicht	Vergewissern Sie sich, dass die Haube an das Stromnetz angeschlossen ist. Prüfen Sie, dass keine Sicherungen oder Schutzschalter durchgebrannt sind bzw. ausgelöst wurden.
Die Haube funktioniert immer noch nicht	Falls Ihr Problem nach Überprüfung der obengenannten Punkte nicht behoben ist, wenden Sie sich an den technischen Kundendienst oder Ihren Händler.



España	902 410 450 / +34 938 521 818	info@cnagroup.es
Portugal	+351 214 349 771	cata.pt@cnaservice.com
Deutschland	+49 33224289171	cata.de@cnaservice.com
France	+33 4 13 75 89 46	cata.fr@cnaservice.com
Benelux	+31 162 - 435847	cata.benelux@cnaservice.com
Danmark	0045 70130222	cata.dk@cnaservice.com

DER HERSTELLER garantiert die Konformität dieses Produktes, das ausschließlich für den Gebrauch im Haushalt vorgesehen ist, für die Dauer von zwei (2) Jahren ab Rechnungsdatum, Kaufbeleg oder Lieferschein (bei Versand), auf denen ordnungsgemäße Angaben zum erworbenen Gerät befinden müssen.

Die Garantie umfasst sowohl Ersatzteile als auch Arbeitsleistung sowie die Anfahrtskosten der Techniker der nächstgelegenen autorisierten Kundendienststelle (ausgenommen sind Fälle, bei denen die Geräte aufgrund ihrer geringen Größe und leichten Transportierbarkeit vom Kunden zur nächstgelegenen technischen Kundendienststelle gebracht werden sollten).

In Garantiefällen sollte sich der Verbraucher an den Händler bzw. den Kundendienst von Cata Electrodomésticos wenden.

Der Hersteller hat das Recht zwischen Reparatur oder Ersatz des defekten Gerätes zu entscheiden, wenn die Kosten für eine der beiden Optionen unverhältnismäßig hoch sind.


Ist die Reparatur oder der Ersatz des Gerätes nicht möglich bzw. nicht sinnvoll, kann der Verbraucher zwischen einer Preisminderung und der Stornierung des Kaufs wählen (gemäß Artikel 12ff des RD 1/2007 und Artikel 12 des Gesetzes 7/1996).

„AUSSCHLUSSKLAUSELN Diese Garantie gilt nicht für folgende Fälle:“

- Nichtbeachtung der in der Bedienungsanleitung aufgeführten Anweisungen.
- Falscher Gebrauch oder normale Abnutzung des Produkts (Filter, Lampen, Dichtungen, Gummiteile, Farben, Lacke, etc.).
- Änderungen am Gerät durch unbefugte Personen.
- Mangelnde Reinigung oder Wartung des Produkts.
- Störungen oder Schäden, die auf die chemische oder elektrochemische Einwirkung von Wasser oder den Kontakt mit ungeeigneten Substanzen zurückzuführen sind, die nicht im Benutzerhandbuch festgelegt sind.
- Störfälle infolge eines physischen Bruchs, der nicht auf einen Herstellungsfehler zurückzuführen ist (Gehäuse, Glas, Rand, Kunststoff, Filter, Steuerungen, etc.).

Diese Garantie wirkt sich nicht auf die im Königlichen Gesetzesdekret 1/2007 vom 16. November festgesetzten Verbraucherrechte aus.



Das Symbol  auf dem Produkt oder seiner Verpackung weist darauf hin, dass dieses Produkt nicht als normaler Haushaltsabfall zu behandeln ist, sondern an einem Sammelpunkt für das Recycling von elektrischen und elektronischen Geräten abgegeben werden muss. Durch Ihren Beitrag zum korrekten Entsorgen dieses Produkts schützen Sie die Umwelt und die Gesundheit Ihrer Mitmenschen. Umwelt und Gesundheit werden durch falsches Entsorgen gefährdet. Weitere Informationen über das Recycling dieses Produkts erhalten Sie von Ihrem Rathaus, Ihrer Müllabfuhr oder dem Geschäft, in dem Sie das Produkt gekauft haben.



Cher client,

Merci d'avoir choisi notre hotte. Veuillez lire attentivement ces instructions qui vous assureront une installation, une utilisation et un entretien optimum de cette hotte.

Cet appareil a été conçu et fabriqué pour un usage domestique uniquement. Veuillez lire attentivement les présentes instructions afin d'en optimiser l'installation, l'utilisation et l'entretien. Vérifiez l'appareil avant de l'installer. Si la hotte est défectueuse ou endommagée, ne l'utilisez pas et contactez immédiatement votre distributeur ou installateur.

⚠ Attention : Respectez la législation en vigueur quant au système d'évacuation de fumées et à la ventilation ambiante. Ne raccordez pas la hotte à d'autres conduits d'évacuation, d'aération ou d'air chaud utilisés par d'autres appareils fonctionnant au gaz ou avec un autre combustible.

Pour assurer un fonctionnement optimal et en toute sécurité, la dépression ne doit pas dépasser 4 Pa (0,04 mbar) dans l'enceinte.

Pour cela, des entrées d'air permanentes doivent être prévues en nombre suffisant pour éviter l'étanchéité du local.

La pièce doit être pourvue d'une ventilation adéquate en cas d'utilisation simultanée d'une hotte aspirante de cuisine et d'appareils alimentés au gaz ou avec un autre combustible.

Raccordement de la hotte au réseau

⚠ Attention : Avant de raccorder la hotte, coupez le courant puis vérifiez que la tension et la fréquence du réseau correspondent à celles indiquées sur la plaque signalétique de l'appareil.

Si l'appareil est doté d'une prise mâle, branchez la hotte sur une prise femelle-conforme aux normes en vigueur et située à un endroit accessible.

Si l'appareil ne possède pas de prise, branchez-le directement sur le réseau, protégé par un dispositif de coupure omnipolaire facile d'accès pour en assurer la déconnexion et conforme à la réglementation locale.

Si le cordon d'alimentation est abîmé, il doit être remplacé par le fabricant, par le service après-vente ou par un personnel qualifié afin d'éviter les dangers.

Utilisation de la hotte

⚠ Attention : en cas de décharge électrostatique (p. ex. un éclair), la hotte peut cesser de fonctionner. Cela ne présente pas de risque de dégâts. Coupez l'alimentation électrique de la hotte et rebranchez-la au bout d'une minute.

Les enfants de moins de 8 ans doivent se tenir éloignés de l'appareil ou rester sous surveillance permanente.

Cet appareil peut être utilisé par des enfants à partir de 8 ans et par des personnes aux capacités physiques, sensorielles ou mentales réduites, ou manquant d'expérience et de connaissances, uniquement sous la surveillance d'une personne responsable de leur sécurité ou s'ils ont reçu les consignes adéquates quant à l'utilisation de l'appareil en toute sécurité et qu'ils ont compris les dangers que peut créer cet appareil. Les enfants ne doivent pas jouer avec l'appareil. Le nettoyage et l'entretien à réaliser par l'utilisateur ne doivent pas être effectués par des enfants sans surveillance.

Pour éviter de possibles incendies, nettoyez régulièrement le filtre métallique.

Contrôlez en permanence les récipients contenant de l'huile chaude.

Ne flambez pas d'aliments sous la hotte.

Les parties accessibles peuvent chauffer lorsque des appareils de cuisson sont utilisés.

Informations légales

Le fabricant :

- Déclare que le présent appareil répond aux exigences essentielles relatives au matériel électrique basse tension, décrites dans la norme 2014/35/UE et à la compatibilité électromagnétique décrite dans la norme 2014/30/UE.
- Ne sera tenu pour responsable du nonrespect des indications du présent mode d'emploi et des normes de sécurité en vigueur pour le bon usage de l'appareil.
- Ne sera tenu pour responsable des dégâts provoqués par une installation, une utilisation ou un entretien inappropriés de l'appareil.
- Se réserve le droit d'apporter des modifications sans avis préalable à l'appareil ou au présent mode d'emploi.

Contactez votre distributeur ou un ser technicien officiel agréé en cas de besoin d'assistance technique ou d'informations complémentaires sur nos produits.



L'INSTALLATION ÉLECTRIQUE

Pour l'évacuation des fumées vers l'extérieur, utiliser un tuyau en PVC rigide d'un diamètre idéal de 120 mm.

Les restrictions précédentes ne concernent pas les hottes dépourvues d'évacuation vers l'extérieur (utilisation en recyclage avec filtre à charbon actif).

Installation et raccordement

- Cet appareil est conçu exclusivement pour une utilisation domestique.
- Lisez attentivement les instructions spéciales d'installation.
- L'appareil s'installe avec une prise et ne doit être raccordé qu'à une prise de terre correctement installée.
- La tension du réseau doit correspondre à celle indiquée sur la plaque signalétique.
- La prise doit être installée et le câble d'alimentation ne doit être remplacé que par un électricien qualifié. Si la prise n'est plus accessible après l'installation, un dispositif de déconnexion de tous les pôles doit être présent du côté de l'installation, avec une séparation supérieure à 3 mm.
- Des adaptateurs, des rallonges ou des multiprises ne doivent pas être utilisés. Une surcharge pourrait provoquer un incendie.

⚠ Avertissement : il s'agit d'un appareil de Classe 1. Il DOIT être raccordé à la terre.

Cet appareil est livré avec un câble secteur à 3 conducteurs, présentant les couleurs suivantes :

- Marron = L ou Phase
- Bleu = N ou neutre
- Vert et jaune = E ou Terr

OPTION DE CONDUIT

Si la hotte est utilisée en mode évacuation, raccorder l'adaptateur de sortie en plastique livrée avec la hotte au conduit d'évacuation vers l'extérieur

OPTION DE RECYCLAGE (PAS D'ÉVACUATION VERS L'EXTÉRIEUR)

Lorsqu'il n'existe pas de conduit d'évacuation pour la ventilation vers l'extérieur, un filtre à charbon (D) peut être utilisé.

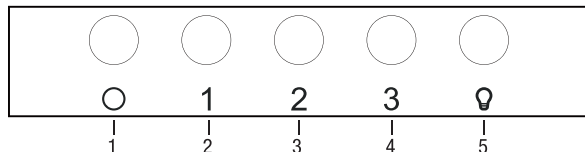
L'air est purifié au moyen du filtre puis à nouveau expulsé dans l'environnement. L'air est libéré dans la pièce au travers d'une tuyauterie de connexion qui passe par l'armoire suspendue et qui est connectée à la bague de connexion fournie (A) fig.1.

Pour utiliser l'appareil dans cette version, procéder de la façon suivante :

- Ouvrir les grilles (E).
- Placer le filtre à charbon
- Replacer les grilles.



Cet appareil aspire les fumées de la cuisine pour éliminer des odeurs et maintenir une qualité et un niveau d'air optimal dans la pièce. L'appareil permet également d'éclairer la zone de cuisson.



Pupitre à cinq touches

1. Arrêt d'extraction.
2. Vitesse d'extraction. - touche : 1ère vitesses
3. Vitesse d'extraction. - touche : 2ème vitesses
4. Vitesse d'extraction. - touche : 3ème vitesses
5. Marche / arrêt de l'éclairage.

Pour obtenir un meilleur rendement de votre hotte, on recommande la laisser fonctionner pendant 15 minutes une fois la cuisson a terminée.



ENTRETIEN ET MAINTENANCE

⚠ Attention: coupez toujours l'alimentation électrique avant d'intervenir sur la hotte. En cas de défaut, contactez un distributeur officiel ou un agent agréé.

Nettoyage externe : utilisez du détergent liquide, non corrosif et évitez l'utilisation de produits de nettoyage abrasifs et de dissolvants. N'utilisez pas de dispositifs de nettoyage à haute pression ou à vapeur.

! Important: Augmentez la fréquence de nettoyage / remplacement des filtres si la hotte est utilisée plus de 2 heures par jour. Utilisez toujours des filtres d'origine du fabricant.

Filtres à charbon actif

Ils doivent être remplacés tous les trois mois.

Filtres à graisse

Il y a risque d'incendie si le nettoyage n'est pas effectué conformément aux instructions. Pour cela, démontez les filtres et lavez-les à l'eau chaude et avec du détergent neutre.

Ne pas utiliser de liquide de rinçage. Si vous utilisez un lavevaisselle (les pièces métalliques pourraient noircir sans que leur bon fonctionnement ne soit affecté), disposez les filtres à la verticale afin d'éviter le dépôt de résidus solides.

Remplacement des ampoules

⚠ Attention: ne manipulez pas les ampoules avant d'avoir coupé l'alimentation électrique et que leur température n'ait baissé.

❗ Important: utilisez des ampoules neuves conformément à ce qui apparaît sur la plaque signalétique de la hotte.

En cas d'éclairage LED, ne regardez pas directement la lumière. Utilisez des ampoules à réflecteur en aluminium pour remplacer des ampoules halogènes. N'utilisez pas d'ampoules dichroïques - risque de surchauffe. Pour obtenir des lampes LED de rechange, contactez le Service technique ou un distributeur de la marque. En cas de panne éventuelle, avant de contacter le service technique, consultez le tableau suivant:



FAQS

Problème	Cause / Solution
Les lampes ne fonctionnent pas	Une modification peut être nécessaire, mais vérifiez d'abord que la lampe est correctement positionnée et que le contact est correct. N'oubliez pas que les lampes ne sont pas couvertes par la garantie. Débranchez le capot avant de manipuler les lampes. Utilisez des lampes ayant les mêmes propriétés que celles décrites sur la plaque signalétique. Il est conseillé d'utiliser des lampes fournies par le fabricant de la hotte.
Le moteur fonctionne, mais il semble avoir demandé des performances ou une capacité d'extraction	La vitesse sélectionnée est trop faible / Sélectionnez une vitesse plus élevée Vérifiez le filtre métallique (filtre à graisse). S'il n'a pas été lavé récemment, il peut être bouché avec de la graisse ou de la saleté. Démontez-le et lavez-le dans de l'eau chaude et du détergent, et laissez-le sécher avant de le réassembler. Assurez-vous que le tube de sortie d'air n'a pas été obstrué.
La hotte fonctionne, mais l'odeur de la nourriture persiste.	Si vous utilisez la hotte en mode recirculation, le filtre à charbon actif doit être remplacé.
La hotte ne fonctionne pas	Vérifiez que la hotte est connectée à l'alimentation. Vérifiez que les fusibles ou l'automate n'ont pas sauté.
La hotte ne fonctionne toujours pas	Si, après avoir vérifié les points mentionnés ci-dessus, votre problème n'a pas encore été résolu, contactez le service technique ou votre distributeur.



España	902 410 450 / +34 938 521 818	info@cnagroup.es
Portugal	+351 214 349 771	cata.pt@cnaservice.com
Deutschland	+49 33224289171	cata.de@cnaservice.com
France	+33 4 13 75 89 46	cata.fr@cnaservice.com
Benelux	+31 162 - 435847	cata.benelux@cnaservice.com
Danmark	0045 70130222	cata.dk@cnaservice.com

LE FABRICANT garantit la conformité de ce produit, qui est conçu pour un usage exclusivement domestique, pour une période de trois (3) ans à compter de la date de la facture, du ticket d'achat ou du bon de livraison (dans le cas d'une vente à distance) sur lequel figure l'appareil acquis.

Cette garantie inclut à la fois les matériaux, la main-d'œuvre et le déplacement du personnel technique du service officiel le plus proche (sauf dans le cas des produits de petite taille et mobiles, qui doivent être transportés par l'utilisateur au service technique officiel).

Afin d'appliquer cette garantie, le consommateur doit contacter le distributeur ou le service clientèle de Cata Electrodomésticos.

Le fabricant peut exercer son droit de décision de réparer ou de remplacer le produit défectueux lorsqu'il considère le coût de l'une des deux options comme disproportionné.


Si la réparation ou le remplacement n'est pas possible ou pas approprié, le consommateur peut choisir de bénéficier d'une réduction du prix ou d'annuler l'achat (conformément aux dispositions du Décret Royal Législatif 1/2007 ou à la législation en vigueur).

“CLAUSES D'EXCLUSION

La présente garantie ne s'applique pas dans les cas suivants :”

- Le non-respect des indications figurant dans le manuel d'instructions.
- La mauvaise utilisation ou l'usure normale du produit (filtres, ampoules, joints, pièces en caoutchouc, vernis, peintures, etc.).
- La manipulation inadéquate du produit par des personnes non autorisées.
- Le manque de nettoyage ou d'entretien régulier du produit.
- Les défauts ou dommages causés par les effets chimiques ou électrochimiques de l'eau ou par le contact avec des substances nocives qui ne sont pas stipulés dans le manuel d'instructions.
- Les incidents résultant d'une cassure physique non imputable à un défaut de fabrication (carcasses, verres, enjoliveurs, plastiques, filtres, commandes, etc.).

Cette garantie n'affecte pas les droits du consommateur stipulés conformément à la législation en vigueur.

Le symbole  sur le produit ou son emballage indique que ce produit ne peut être traité comme déchet ménager. Il doit plutôt être remis au point de ramassage concerné, se chargeant du recyclage du matériel électrique et électronique. En vous assurant que ce produit est éliminé correctement, vous favorisez la prévention des conséquences négatives pour l'environnement et la santé humaine qui, sinon, seraient le résultat d'un traitement inapproprié des déchets de ce produit. Pour obtenir plus de détails sur le recyclage de ce produit, veuillez prendre contact avec le bureau municipal de votre région, votre service d'élimination des déchets ménagers ou le magasin où vous avez acheté le produit.



Estimado cliente:

Agradecemos o facto de ter adquirido o nosso exaustor. Pedimos que leia atentamente estas instruções para conseguir uma instalação, utilização e manutenção ideais do mesmo.

Este eletrodoméstico foi concebido e fabricado exclusivamente para uma utilização doméstica.

Por favor, leia atentamente as presentes instruções de modo a garantir uma instalação, utilização e manutenção ótimas do exaustor.

Verifique o eletrodoméstico antes de instalá-lo. Caso verifique danos ou falhas no exaustor não o utilize, contacte o seu distribuidor ou instalador.

⚠ Atenção: Respeite o cumprimento da legislação em vigor relativamente à extração de fumos e gases e à ventilação do ambiente. Não ligue o exaustor a outra conduta de extração, ventilação ou ar quente que já esteja a ser utilizada por outros aparelhos alimentados a gás ou a outro combustível.

Para um funcionamento ótimo e seguro não deve ultrapassar-se a depressão de 4 Pa (0,04 mbar) no local. Neste sentido, deve dispor de suficientes entradas de ar permanentes a fim de evitar a estagnidade do local.

No caso de uma utilização simultânea do exaustor e de outros aparelhos alimentados a gás ou a outro combustível, deve estar prevista uma ventilação adequada da divisão.

Ligação do exaustor à rede

⚠ Atenção: Antes de ligar o exaustor: corte a corrente elétrica e verifique que a tensão e frequência fornecida estão de acordo com a indicada na chapa de características do equipamento.

Se o eletrodoméstico estiver equipado com uma ficha, ligue-o a uma base de tomadas de acordo com as normas em vigor, colocada num local acessível.

Se o eletrodoméstico não estiver equipado com uma ficha, ligue-o diretamente à rede elétrica, protegido por um dispositivo de corte geral omnipolar de fácil acesso no caso de ter de o desconectar de acordo com a legislação local.

Se o cabo de alimentação estiver danificado, deve ser substituído pelo fabricante, pelo serviço de pós-venda ou por pessoal devidamente qualificado a fim de evitar perigo.

Utilização do exaustor

⚠️ Atenção : durante uma descarga eletroestática (por ex., um raio) o exaustor pode deixar de funcionar. Isto não significa risco de danos. Corte a corrente elétrica do exaustor e, após um minuto, volte a ligá-lo.

As crianças com idade inferior a 8 anos devem permanecer afastadas, exceto se estiverem sob supervisão permanente.

Este eletrodoméstico pode ser utilizado por crianças com uma idade igual ou superior a 8 anos e por pessoas com capacidades físicas, sensoriais ou mentais reduzidas ou falta de experiência e conhecimento, desde que supervisionadas por alguém responsável pela sua segurança ou desde que tenham recebido as instruções necessárias relativamente à utilização segura do eletrodoméstico e compreendam os perigos implicados. As crianças não devem brincar com o eletrodoméstico. A limpeza e a manutenção a levar a cabo pelo utilizador não devem ser realizadas por crianças sem supervisão.

De modo a evitar eventuais incêndios limpe regularmente o filtro metálico.

Mantenha sempre o controlo sobre os recipientes com óleo quente.

Não flameje alimentos por baixo do exaustor.

As partes expostas podem aquecer quando são utilizados eletrodomésticos de cozedura.

Informação legal

O fabricante:

- Declara que este equipamento cumpre os requisitos fundamentais relativamente ao material elétrico de baixa tensão, previstos na diretiva 2014/35/UE e de compatibilidade eletromagnética previstos na diretiva 2014/30/UE.
- Não se responsabiliza pelo não cumprimento das indicações do presente manual e das normas de segurança em vigor relativas à correta utilização do equipamento.
- Não se responsabiliza pelos danos causados resultantes de uma instalação, utilização ou manutenção indevidas do eletrodoméstico.
- Reserva-se o direito de efetuar qualquer modificação sem aviso prévio no eletrodoméstico ou no presente manual.

Se necessitar de assistência técnica ou informação adicional acerca dos nossos produtos, contacte o seu distribuidor ou um serviço técnico oficial autorizado.



INSTALAÇÃO E LIGAÇÃO À CORRENTE

Deve ter-se previamente em consideração uma ventilação adequada para a divisão da casa, se se utiliza simultaneamente um exaustor e aparelhos que sejam alimentados a gás ou outro tipo de combustível. O ar evacuado não deve ser enviado por condutas que sejam utilizadas para evacuar os fumos de aparelhos alimentados a gás ou outro combustível. Os regulamentos que dizem respeito à evacuação de ar têm de ser respeitados.

Este produto está pensado apenas para a USO DOMÉSTICO.

Para a evacuação de fumos para o exterior utilizar um tubo rígido de PVC de pelo menos Ø 120 mm. As restrições anteriores não se aplicam a exaustores sem saída de fumos para o exterior (sistema de recirculação com filtro de carvão activo).

O aparelho tem de ser ligado directamente à rede elétrica através de um disjuntor omnipolar com uma abertura mínima de 3 mm entre os contactos.

O responsável pela instalação tem de garantir que foi realizada a ligação elétrica correta e que esta está em conformidade com o diagrama da cablagem.

O cabo não pode ser dobrado nem comprimido.

Verifi que regularmente se existem danos na tomada e no cabo elétrico. Se o cabo de alimentação estiver danifi cado, este tem de ser substituído por um conjunto ou cabo especial, disponíveis junto do fabricante ou do respetivo fornecedor de serviços.

⚠ AVISO: Este é um aparelho de Classe I e TEM DE estar ligado à terra.

Este aparelho é fornecido com um cabo de alimentação de 3 núcleos, colorido da seguinte forma:

Castanho = L ou ativo

Azul = N ou neutro

Verde e amarelo = E ou terra

VERSÃO DE SUCCÃO

Se a campana for utilizada a sua versão ASPIRANTE conectar a peça plástica cónica de saída, fornecida com a campana a um conduto de evacuação conectado directamente com o exterior.

VERSÃO DEFILTRAÇÃO (RECICLAGEM INTERNA)

Quando não existe um conduto de escape da a ventilação para o exterior, pode utilizar um filtro de carbono.

O ar é depurado por meio do filtro e é expulso de novo no ambiente.

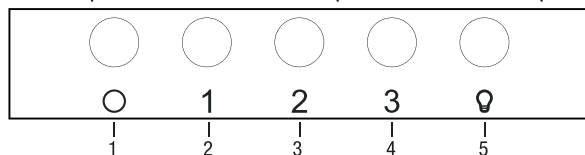
O ar liberta-se na sala a través de uma tubagem de ligação que passa pelo armário suspenso e liga-se a anilha de ligação fornecida.

- Para utilizar o aparéelo nesta versão, proceda da maneira seguinte:
- Coloque o filtro de carvão activado
- Coloque de novo as redes.

Apenas para dispositivos de cozedura a gás: A distância mínima até ao exaustor tem de ser, pelo menos, de 75 cms.



Este aparelho extrai os vapores da cozinha para eliminar odores e manter a melhor qualidade e nível óptimos do ar na sala. O aparelho também lhe permite iluminar a área de cozedura.



Painel de cinco botões de pressão (Fig. P4)

- 1- Desactivação do extractor
- 2- Velocidade do extractor - botão de pressão: 1ª vel.
- 3- Velocidade do extractor - botão de pressão: 2ª vel.
- 4- Velocidade do extractor - botão de pressão: 3ª vel.
- 5- Activação e desactivação da iluminação.

Para obter um melhor desempenho do seu exaustor, é recomendável deixá-lo em funcionamento durante pelo menos 15 minutos após o cozimento.



MANUTENÇÃO DO EXAUSTOR

⚠ Atenção: desligue sempre a corrente eléctrica antes de realizar a manutenção do exaustor. Em caso de avaria, contacte um distribuidor oficial ou um agente autorizado.

Limpeza exterior: utilize detergente líquido, não corrosivo e evite utilizar produtos de limpeza abrasivos e dissolventes.

Não utilize dispositivos de limpeza de alta pressão ou a vapor.

⚠ Importante: aumente a frequência de limpeza/substituição dos filtros se utiliza o exaustor mais do que 2 horas por dia. Utilize sempre os filtros originais do fabricante.

Filtros de carvão activo

Devem ser substituídos de 3 em 3 meses.

Filtros de gordura

para evitar possíveis incêndios, limpe-os rigorosamente uma vez por mês ou quando a luz de aviso indicar. Para isso, desmonte os filtros e lave-os com água quente e detergente.

Se utilizar a máquina de lavar loiça (pode escurecer as partes metálicas sem afetar a sua capacidade funcional), coloque verticalmente os filtros para evitar a acumulação de resíduos sólidos.

Substituição de lâmpadas

⚠️ Atención: não manipule as lâmpadas até que tenha desligado a corrente eléctrica e a temperatura tenha diminuído.

! Importante: utilize lâmpadas novas de acordo com a indicação da placa de características do exaustor.

No caso da iluminação LED, não fixar o olhar diretamente na luz.

Utilize lâmpadas com reflector de alumínio para substituir lâmpadas de halogéneo. Não utilize lâmpadas dicróicas - risco de sobreaquecimento.

Para adquirir lâmpadas LED sobresselentes contacte o Serviço Técnico ou o distribuidor da marca.



FAQS

Problema	Causa / Solução
As lâmpadas não funcionam	Uma mudança pode ser necessária, mas primeiro verifique se a lâmpada está posicionada corretamente e se o contato está correto. Lembre-se de que as lâmpadas não são cobertas pela garantia. Desconecte o capô atual antes de manusear as lâmpadas. Use lâmpadas com as mesmas propriedades descritas na placa de identificação. É aconselhável usar lâmpadas fornecidas pelo fabricante do exaustor.
O motor funciona, mas parece ter solicitado capacidade de desempenho ou extração	A velocidade selecionada é muito baixa / Selecione uma velocidade maior Verifique o filtro metálico (filtro de gordura). Se não tiver sido lavado recentemente, pode estar entupido com gordura ou sujeira. Desmonte-o e lave-o em água quente e detergente, e deixe secar antes de remontá-lo. Certifique-se de que o tubo de saída de ar não esteja obstruído.
O exaustor funciona, mas o cheiro da comida persiste.	Se você estiver usando o exaustor no modo de circulação, o filtro de carbono ativo deve ser substituído.
O exaustor não funciona	Verifique se o exaustor está conectado à energia. Verifique se os fusíveis ou automático não saltaram.
O exaustor ainda não funciona	Se, depois de ter verificado os pontos mencionados acima, o seu problema ainda não tiver sido resolvido, entre em contato com o serviço técnico ou com o seu distribuidor.



España	902 410 450 / +34 938 521 818	info@cnagroup.es
Portugal	+351 214 349 771	cata.pt@cnaservice.com
Deutschland	+49 33224289171	cata.de@cnaservice.com
France	+33 4 13 75 89 46	cata.fr@cnaservice.com
Benelux	+31 162 - 435847	cata.benelux@cnaservice.com
Danmark	0045 70130222	cata.dk@cnaservice.com

O FABRICANTE garante a conformidade deste produto, que foi projectado para uso exclusivamente doméstico, durante um período de três (3) anos, a contar da data da factura, ticket de compra ou nota de entrega (nos casos de venda à distância), onde figure devidamente o aparelho adquirido.

Esta garantia inclui materiais e mão-de-obra, bem como a deslocação do pessoal técnico do Serviço Oficial mais próximo (excepto no caso de produtos que pelo seu pequeno tamanho e fácil mobilidade deverão ser transportados pelo utilizador para o Serviço Técnico Oficial).

Para a aplicação da presente Garantia o consumidor deverá entrar em contacto com o distribuidor ou o serviço de Atendimento ao Cliente da Cata Electrodomésticos.

O Fabricante poderá exercer o seu direito de decisão de reparar ou substituir o produto defeituoso quando o custo de uma das duas opções for considerado desproporcionado.


Se a reparação ou substituição não for possível ou apropriada, o consumidor poderá optar por uma rebaixa no preço ou pelo cancelamento da compra (segundo o especificado no RD Lei 1/2007 ou segundo legislação vigente).

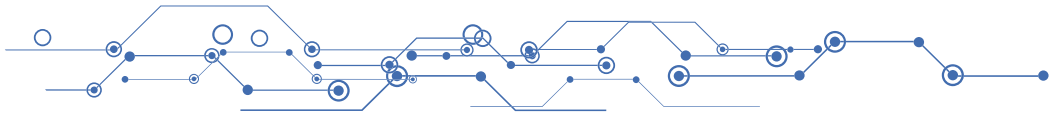
“CLÁUSULAS DE EXCLUSÃO

A presente garantia não será aplicada nas seguintes circunstâncias:”

- Incumprimento das indicações reflectidas no manual de instruções.
- Uso inadequado ou desgaste normal do produto (filtros, lâmpadas, juntas, borrachas, esmaltes, pinturas...).
- Manipulação indevida do mesmo por pessoas não autorizadas.
- Falta de limpeza ou de operações de manutenção periódica do produto.
- Avarias ou danos causados por efeitos químicos ou electroquímicos da água ou pelo contacto com substâncias inapropriadas, fora do estabelecido no manual de instruções.
- Incidentes derivados de uma rotura física, não atribuível a um defeito de fabrico (resguardos, vidros, elementos de cobertura, plásticos, filtros, comandos...).

A presente garantia não afecta os direitos do consumidor segundo a legislação vigente.

O símbolo  no produto ou na embalagem indica que este produto não pode ser tratado como lixo doméstico. Em vez disso, deve ser entregue ao centro de recolha selectiva para a reciclagem de equipamento eléctrico e electrónico. Ao garantir uma eliminação adequada deste produto, irá ajudar a evitar eventuais consequências negativas para o meio ambiente e para a saúde pública, que, de outra forma, poderiam ser provocadas por um tratamento incorrecto do produto. Para obter informações mais pormenorizadas sobre a reciclagem deste produto, contacte os serviços municipalizados locais, o centro de recolha selectiva da sua área de residência ou o estabelecimento onde adquiriu o produto.



CATA ELECTRODOMÉSTICOS, S.L.

Oficinas: c/ Anabel Segura, 11, Edif. A, 3a pl. 28108. Alcobendas. Madrid. España

Fábrica: c/ del Ter 2, Apdo. 9. 08570. Torelló. Barcelona. España

T. +34 938 594 100 - Fax +34 938 594 101

www.cnagroup.es - cna@cnagroup.es

Atención al Cliente: 902 410 450 / +34 938 521 818 - info@cnagroup.es

SAT Central Portugal: +351 214 349 771 - service@junis.pt